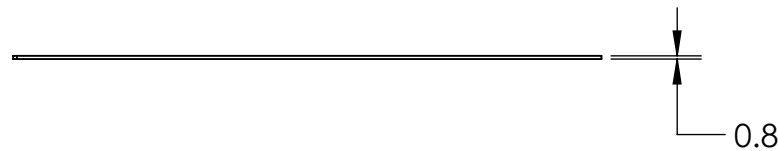
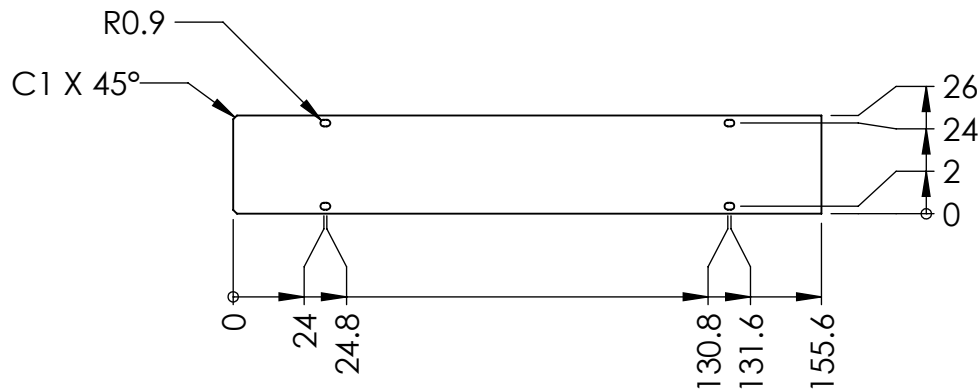
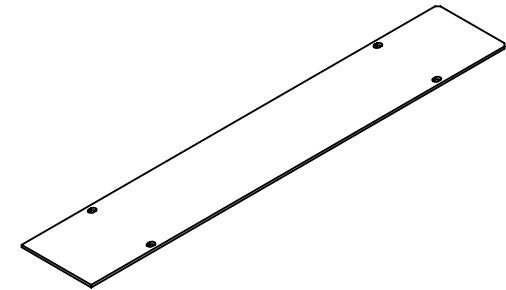


1 2 3 4 5 6 7 8

REVISIONS				
ZONE	REV.	DESCRIPTIONS	DATE	APP.



COLOR	WAVE LENGHT
RED:	630nm
GREEN:	525nm
BLUE:	470nm
WHITE:	--
IR 850:	850nm
IR 940:	940nm
UV:	365-375nm
RGB:	620nm/525nm/470nm

NOTE : THICKNESS = 0.8MM



DESIGN BY	FASIAH	UNIT: MM	PRODUCT SERIES: HBL3 SERIES				
CHECK BY	KB TAN						
DATE	16/01/2018	REVISION:	TITLE	POLARIZER	COLOUR:	-	-
MATERIAL	POLARIZER 0.8 MM	01	PART NO	-	VOLTAGE:	-	-
FINISHING	-	SCALE:	DWG NO	HBL3-00-160-POLARIZER-H	CURRENT:	-	-
QTY	1	1 : 2			POWER:	-	-
						SHEET 1 OF 1	

1 2 3 4 5 6 7 8

D

C

B

A

D

C

B

A