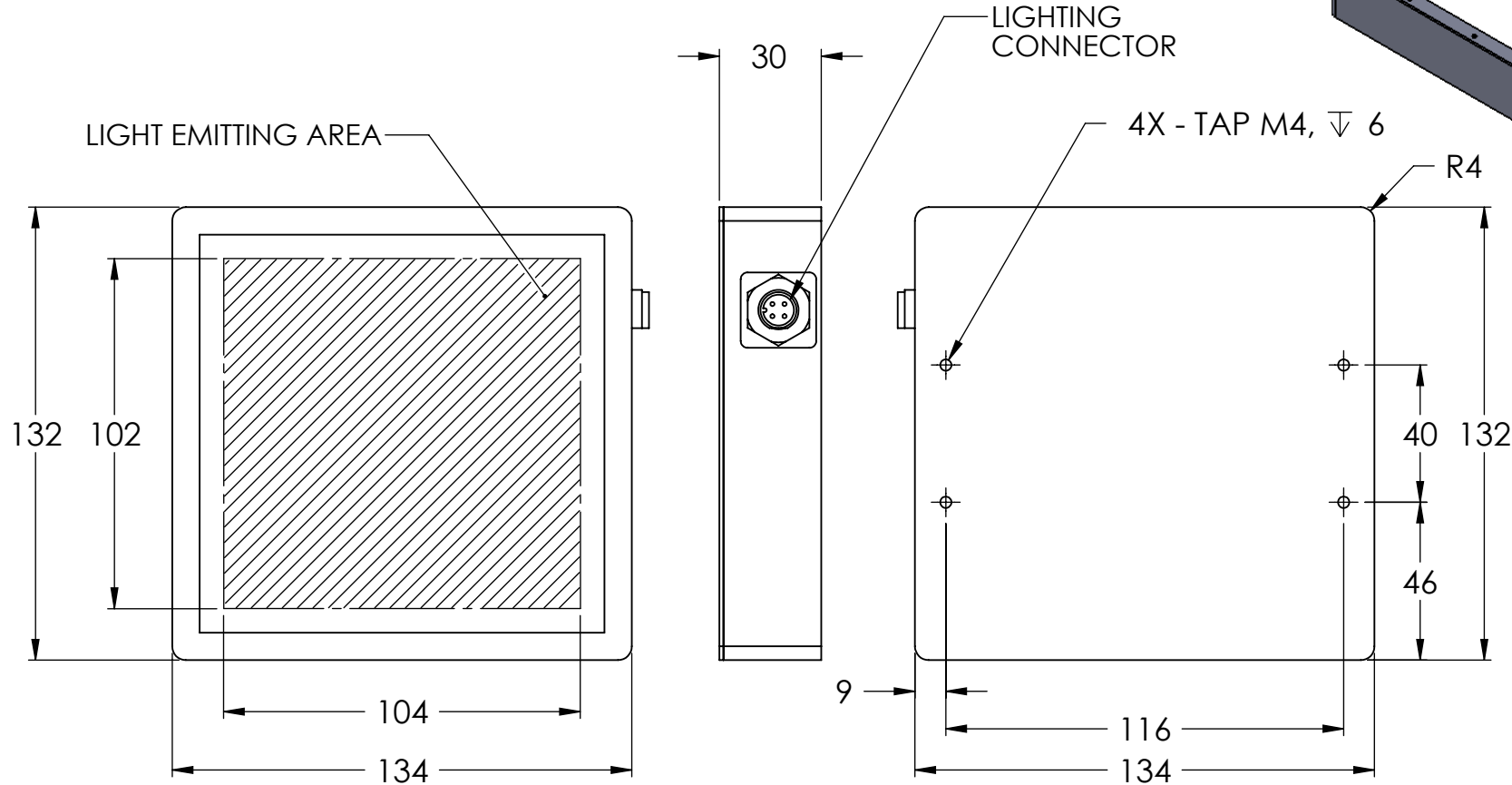
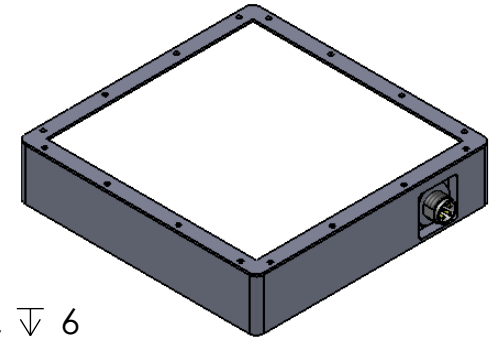


PINS ASSIGNATION		
PIN 1	BROWN	24V
PIN 2	WHITE	-
PIN 3	BLUE	GND
PIN 4	BLACK	-
PIN 5	GRAY	-

REVISIONS				
ZONE	REV.	DESCRIPTIONS	DATE	APP.



COLOR	WAVE LENGHT
RED:	630nm
GREEN:	525nm
BLUE:	470nm
WHITE:	--
IR 850:	850nm
IR 940:	940nm
UV:	375nm
RGB:	620nm/525nm/470nm

DESIGN BY	KB TAN
CHECK BY	KB TAN
DATE	25/8/2016
MATERIAL	-
FINISHING	-
QTY	-

UNIT:	MM
REVISION:	02
SCALE:	1:2

PRODUCT SERIES: BHP SERIES

TITLE	DRAWING LAYOUT
PART NO	BHP1010-X-X-24V(REV02)
DWG NO	-

COLOUR:	-	-
VOLTAGE:	-	-
CURRENT:	-	-
POWER:	-	-
SHEET 1 OF 1		

