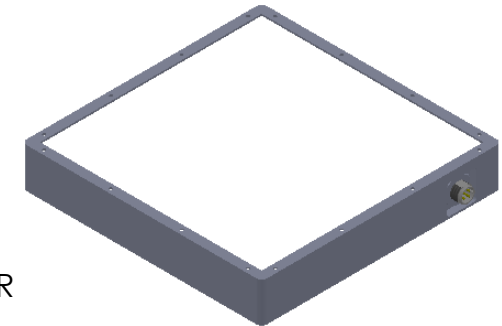
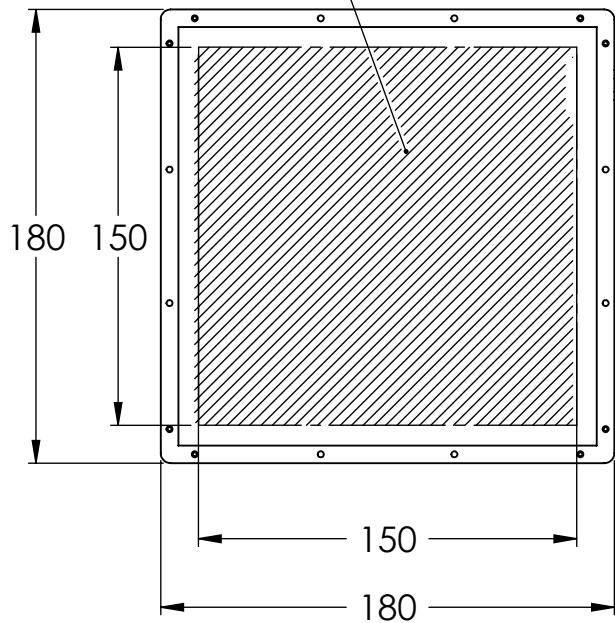


PINS ASSIGNATION		
PIN 1	BROWN	24V
PIN 2	WHITE	-
PIN 3	BLUE	GND
PIN 4	BLACK	-
PIN 5	GRAY	-

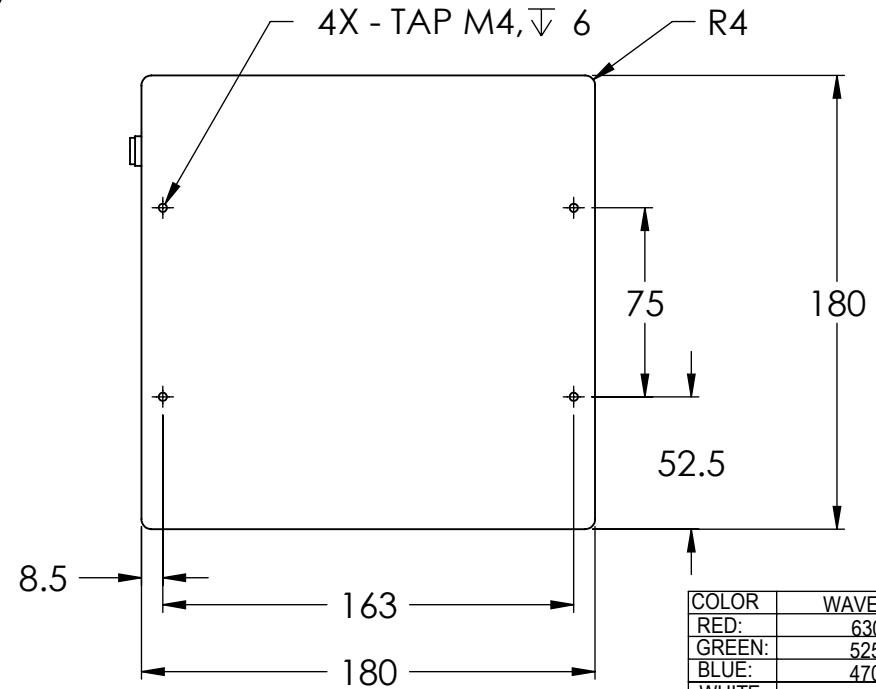
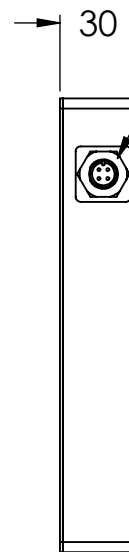
REVISIONS				
ZONE	REV.	DESCRIPTIONS	DATE	APP.



LIGHT EMITTING AREA



LIGHTING CONNECTOR



COLOR	WAVE LENGHT
RED:	630nm
GREEN:	525nm
BLUE:	470nm
WHITE:	--
IR 850:	850nm
IR 940:	940nm
UV:	375nm
RGB:	620nm/525nm/470nm



DESIGN BY	KB TAN
CHECK BY	KB TAN
DATE	25/8/2016
MATERIAL	-
FINISHING	-
QTY	-

UNIT:	MM
REVISION:	02
SCALE:	1 : 3

PRODUCT SERIES: BHP SERIES			
TITLE	DRAWING LAYOUT	COLOUR:	- - -
PART NO	BHP1515-X-X-24V(REV02)	VOLTAGE:	- - -
DWG NO	-	CURRENT:	- - -
		POWER:	- - -
		SHEET 1 OF 1	