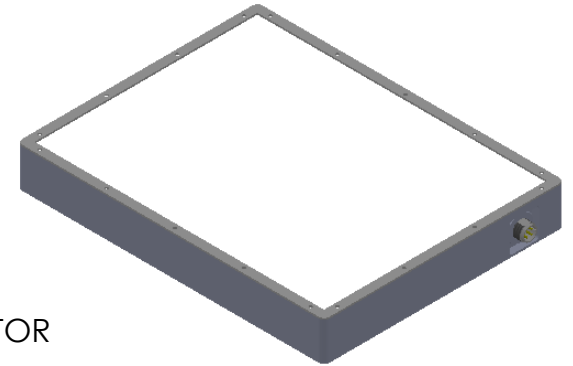


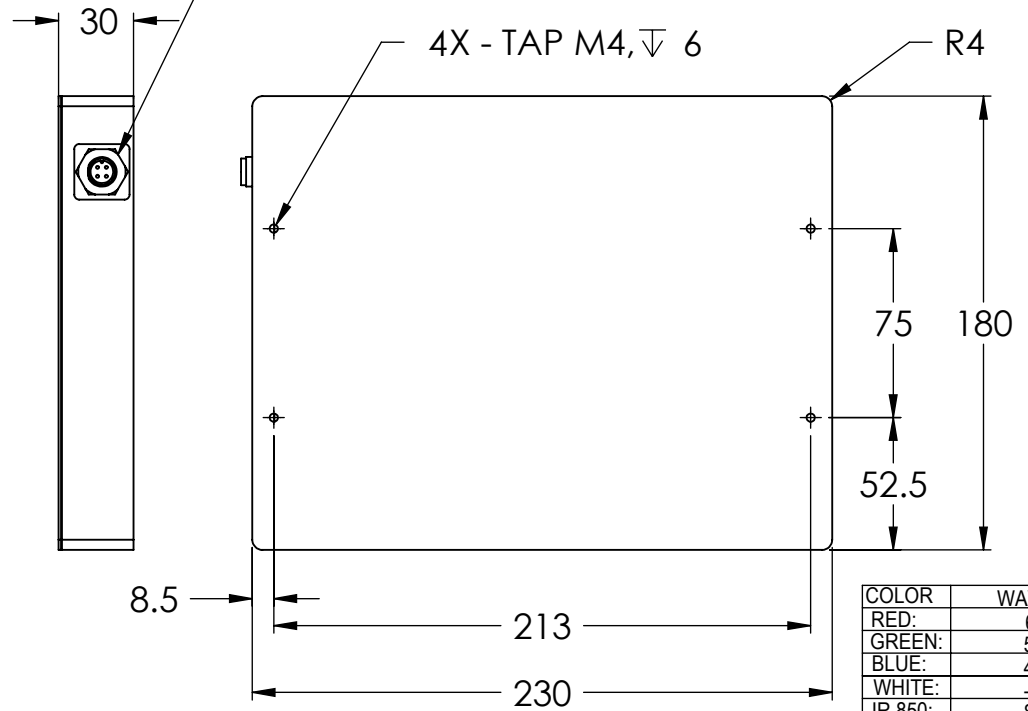
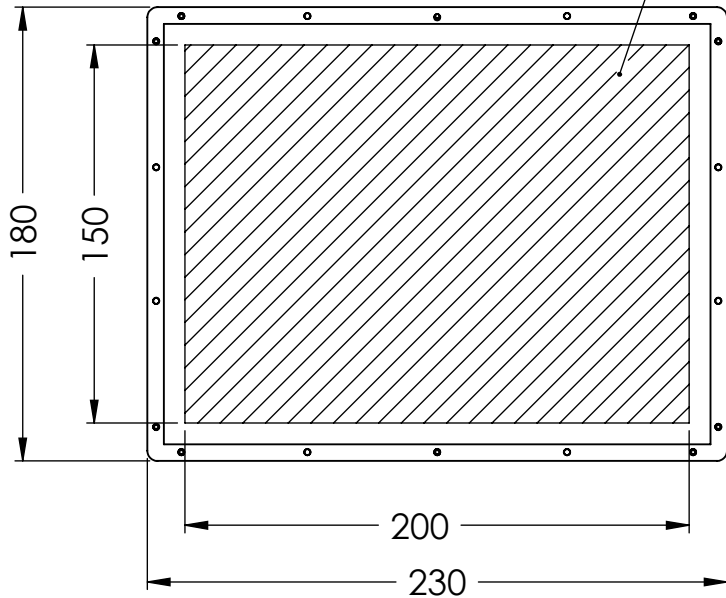
PINS ASSIGNATION		
PIN 1	BROWN	24V
PIN 2	WHITE	-
PIN 3	BLUE	GND
PIN 4	BLACK	-
PIN 5	GRAY	-

REVISIONS				
ZONE	REV.	DESCRIPTIONS	DATE	APP.



LIGHT EMITTING AREA

LIGHTING CONNECTOR



COLOR	WAVE LENGHT
RED:	630nm
GREEN:	525nm
BLUE:	470nm
WHITE:	--
IR 850:	850nm
IR 940:	940nm
UV:	375nm
RGB:	620nm/525nm/470nm

DESIGN BY	KB TAN	UNIT: MM	PRODUCT SERIES: BHP SERIES				
CHECK BY	KB TAN						
DATE	25/8/2016	REVISION: 02	TITLE	DRAWING LAYOUT	COLOUR:	-	-
MATERIAL	-	SCALE: 1:3	PART NO	BHP1520-X-X-24V(REV02)	VOLTAGE:	-	-
FINISHING	-		DWG NO	-	CURRENT:	-	-
QTY	-				POWER:	-	-
							SHEET 1 OF 1

