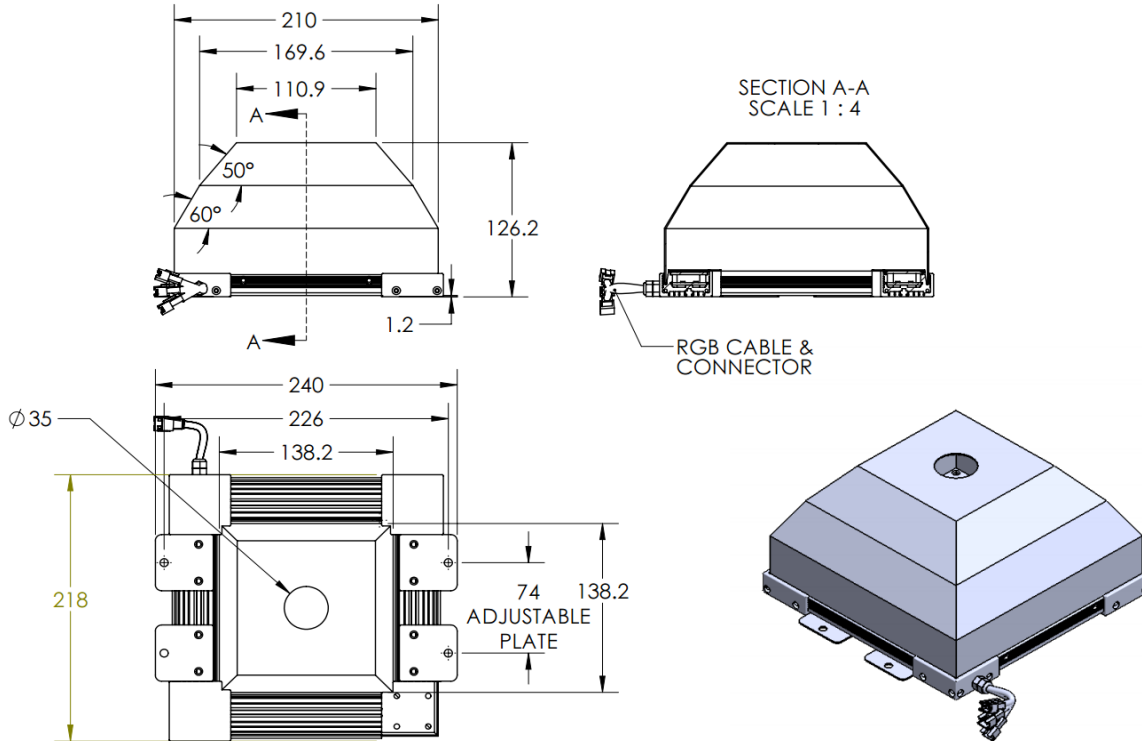




ILLUMINATOR DATA-ID

IDQ3-00-120-X-RGB-24V

Lighting Dimension




Mechanical Information	
Casing Material	Aluminium
Storage Temperature Range	Temp 0-45°C, Humidity 20-85%
Weight	1411 g
Length / Outer Diameter	240 mm
Width / Inner Diameter	218 mm
Thickness / Height	126.2 mm



ILLUMINATOR DATA-ID

IDQ3-00-120-X-RGB-24V

Optical Information												
Part Number	IDQ3-00-120-X-RGB-24V											
LED Color	RED			GREEN			BLUE					
Wavelength	(nm)	630			525			470				
Intensity (±15%)	(Lux)											
Working Distance	(mm)	40	50	60	40	50	60	40	50	60		
Illumination (number of row)		1										
Illumination Active Area												
Active Length / Outer Diameter	(mm)	138.2										
Active Width / Inner Diameter	(mm)	138.2										
Emission angle	(deg.)	0										
Eye Safety Class (IEC62471)		EXEMPT			EXEMPT			II				
Electrical Information												
Lighting Supply Voltage (constant voltage mode)		24V ± 2%										
Continuous Current	(mA)	RED	400			GREEN	320			BLUE	320	
Power Consumption	(W)		9.6				7.68				7.68	
Lighting casing temperature, Operating after 60 minutes	°C		51.5				51.5				51.5	
Max. continuous current of RED, GREEN & BLUE LEDs on at the same time	(mA)	RED, GREEN & BLUE LEDs on at the same time are not recommended										
Strobe Mode Specification												
Pulse Operation		YES										
Max. Lighting Supply Voltage (Constant voltage power supply)	(V)	Pulsing at 24VDC to 48VDC, 0-10% Duty Cycle, Recommended at 36VDC										
Pulse Current, (Max. 10msec) (Constant current power supply)	(mA)	RED	1200			GREEN	960			BLUE	960	
Max. pulse current of RED, GREEN & BLUE LEDs on at the same time	(V)	RED, GREEN & BLUE LEDs on at the same time are not recommended										
Max. Trigger Pulse Duration	(msec)	10										
Duty Cycle		0-10%										
Additional Information												
Additional Cooling Method		Attached to machine part for better heat dissipation										
Intensity Controller Selection		ANG, SD, ST & SDA Series										
CE Conformity		YES										
RoHS Compliance		YES										
Connection												
Connector Type (Default):		JST SMR-03V										
Cable Length out from lighting :	(mm)	500										
Pin Configuration :		Pin				Signal				Cable Color		
		1				LED +				RED		
		2				N.C.				---		
		3				LED -				WHITE		
												
Application												
Illumination Type		Indirect Illumination										
Application Use		Crack, chip, stains and mark on cylindrical surface or shafts.										