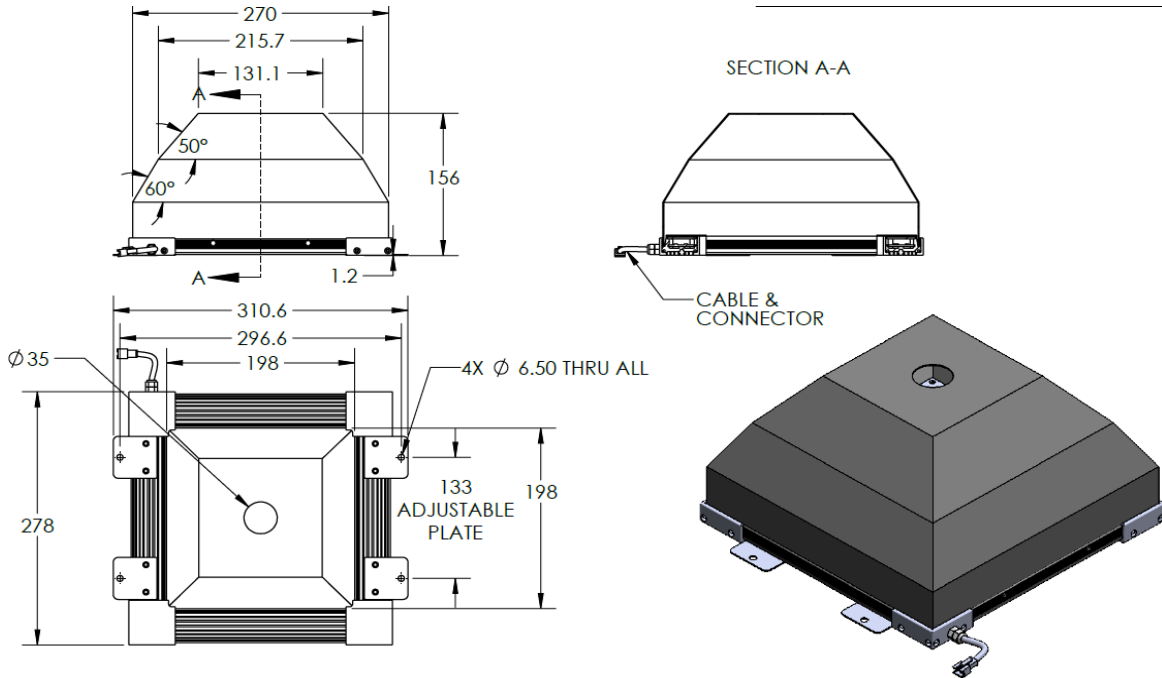




ILLUMINATOR DATA-ID

IDQ3-00-190-X-RGB-24V

Lighting Dimension




Mechanical Information	
Casing Material	Aluminium
Storage Temperature Range	Temp 0-45°C, Humidity 20-85%
Weight	1981 g
Length / Outer Diameter	300.2 mm
Width / Inner Diameter	278 mm
Thickness / Height	156 mm



ILLUMINATOR DATA-ID

IDQ3-00-190-X-RGB-24V

Optical Information										
Part Number	IDQ3-00-190-X-RGB-24V									
LED Color	RED			GREEN			BLUE			
Wavelength	(nm)	630			525			470		
Intensity (±15%)	(Lux)									
Working Distance	(mm)	40	50	60	40	50	60	40	50	60
Illumination (number of row)		1								
Illumination Active Area										
Active Length / Outer Diameter	(mm)	198								
Active Width / Inner Diameter	(mm)	198								
Emission angle	(deg.)	0								
Eye Safety Class (IEC62471)		EXEMPT			EXEMPT			II		
Electrical Information										
Lighting Supply Voltage (constant voltage mode)		24V ± 2%								
Continuous Current	(mA)	RED	600		GREEN	480		BLUE	480	
Power Consumption	(W)		14.4			11.52			11.52	
Lighting casing temperature, Operating after 60 minutes	°C		51.5			51.5			51.5	
Max. continuous current of RED, GREEN & BLUE LEDs on at the same time	(mA)	RED, GREEN & BLUE LEDs on at the same time are not recommended								
Strobe Mode Specification										
Pulse Operation		YES								
Max. Lighting Supply Voltage (Constant voltage power supply)	(V)	Pulsing at 24VDC to 48VDC, 0-10% Duty Cycle, Recommended at 36VDC								
Pulse Current, (Max. 10msec) (Constant current power supply)	(mA)	RED	1800		GREEN	1440		BLUE	1440	
Max. pulse current of RED, GREEN & BLUE LEDs on at the same time	(V)	RED, GREEN & BLUE LEDs on at the same time are not recommended								
Max. Trigger Pulse Duration	(msec)	10								
Duty Cycle		0-10%								
Additional Information										
Additional Cooling Method		Attached to machine part for better heat dissipation								
Intensity Controller Selection		ANG, SD, ST & SDA Series								
CE Conformity		YES								
RoHS Compliance		YES								
Connection										
Connector Type (Default):		JST SMR-03V								
Cable Length out from lighting :	(mm)	500								
Pin Configuration :		Pin	Signal			Cable Color				
		1	LED +			RED				
		2	N.C.			---				
		3	LED -			WHITE				
										
Application										
Illumination Type		Indirect Illumination								
Application Use		Crack, chip, stains and mark on cylindrical surface or shafts.								