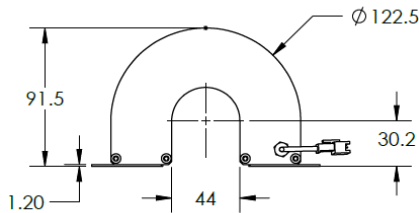
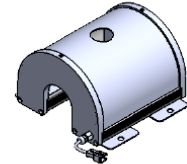
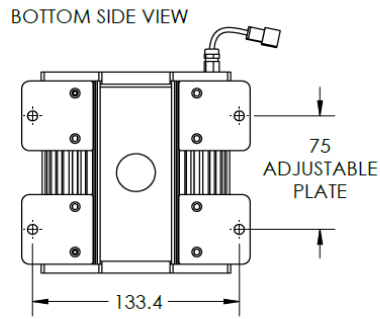
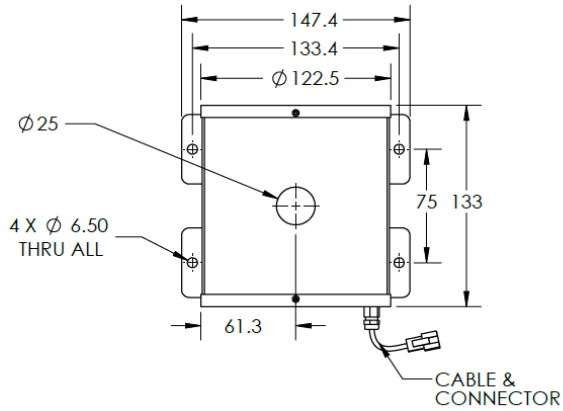




# ILLUMINATOR DATA-ID

## IDT3-00-120-1-B-24V

### Lighting Dimension




Mechanical Information	
Casing Material	Aluminium
Storage Temperature Range	Temp 0-45°C, Humidity 20-85%
Weight	710 g
Length / Outer Diameter	133 mm
Width / Inner Diameter	147.4 mm
Thickness / Height	91.5 mm



# ILLUMINATOR DATA-ID

## IDT3-00-120-1-B-24V

Optical Information			
Part Number	IDT3-00-120-1-B-24V		
LED Color	BLUE		
Wavelength (nm)	450		
Intensity (±15%) (Lux)	TBA	TBA	TBA
Working Distance (mm)	40	50	60
Illumination (number of row)	1		
Illumination Active Area			
Active Length / Outer Diameter (mm)	117		
Active Width / Inner Diameter (mm)	46		
Emission angle (deg.)	0		
Eye Safety Class ( IEC62471 )	II		
Electrical Information			
Lighting Supply Voltage (constant voltage mode)	24V ± 2%		
Continuous Current (mA)	320		
Power Consumption (W)	7.68		
Lighting casing temperature, Operating after 60 minutes (°C)	TBA		
Strobe Mode Specification			
Pulse Operation	YES		
Max. Lighting Supply Voltage (Constant voltage power supply) (V)	Pulsing at 24VDC to 48VDC, 0-10% Duty Cycle Recommended at 36VDC		
Pulse Current, (Max. 10msec) (Constant current power supply) (mA)	960		
Max. Trigger Pulse Duration (msec)	10		
Duty Cycle	0-10%		
Additional Information			
Additional Cooling Method	Attached to machine part for better heat dissipation		
Intensity Controller Selection	ANGX, ST, SD and SDA Series		
CE Conformity	YES		
RoHS Compliance	YES		
Connection			
Connector Type (Default):	JST SMR-03V		
Cable Length out from lighting : (mm)	500		
Pin Configuration :	Pin	Signal	Cable Color
	1	LED +	RED
	2	N.C.	---
	3	LED -	WHITE
			
Application			
Illumination Type	Indirect Illumination		
Applicattion Use	Crack, chip, stains on circular or cylindrical objects, solder inspection and substract inspection.		