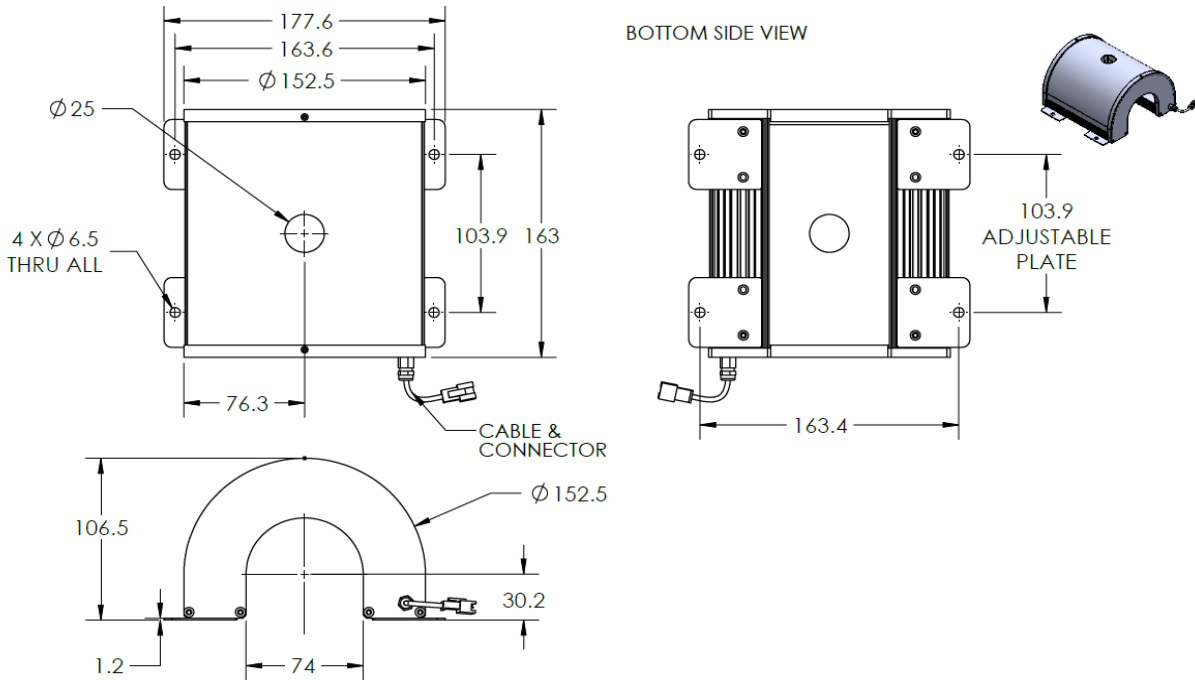




ILLUMINATOR DATA-ID

IDT3-00-150-1-RGB-24V

Lighting Dimension




Mechanical Information	
Casing Material	Aluminium
Storage Temperature Range	Temp 0-45°C, Humidity 20-85%
Weight	532 g
Length / Outer Diameter	163 mm
Width / Inner Diameter	177.6 mm
Thickness / Height	106.5 mm



ILLUMINATOR DATA-ID

IDT3-00-150-1-RGB-24V

Optical Information											
Part Number	IDT3-00-150-1-RGB-24V										
LED Color	RED			GREEN			BLUE				
Wavelength	(nm)	630			525			470			
Intensity (±15%)	(Lux)										
Working Distance	(mm)	40	50	60	40	50	60	40	50	60	
Illumination (number of row)		1									
Illumination Active Area											
Active Length / Outer Diameter	(mm)	147									
Active Width / Inner Diameter	(mm)	76									
Emission angle	(deg.)	0									
Eye Safety Class (IEC62471)		EXEMPT			EXEMPT			II			
Electrical Information											
Lighting Supply Voltage (constant voltage mode)		24V ± 2%									
Continuous Current	(mA)	RED	250			GREEN	200			BLUE	200
Power Consumption	(W)		6				4.8				4.8
Lighting casing temperature, Operating after 60 minutes	°C		51.5				51.5				51.5
Max. continuous current of RED, GREEN & BLUE LEDs on at the same time	(mA)	RED, GREEN & BLUE LEDs on at the same time are not recommended									
Strobe Mode Specification											
Pulse Operation		YES									
Max. Lighting Supply Voltage (Constant voltage power supply)	(V)	Pulsing at 24VDC to 48VDC, 0-10% Duty Cycle, Recommended at 36VDC									
Pulse Current, (Max. 10msec) (Constant current power supply)	(mA)	RED	750			GREEN	600			BLUE	600
Max. pulse current of RED, GREEN & BLUE LEDs on at the same time	(V)	RED, GREEN & BLUE LEDs on at the same time are not recommended									
Max. Trigger Pulse Duration	(msec)	10									
Duty Cycle		0-10%									
Additional Information											
Additional Cooling Method		Attached to machine part for better heat dissipation									
Intensity Controller Selection		ANG, SD, ST & SDA Series									
CE Conformity		YES									
RoHS Compliance		YES									
Connection											
Connector Type (Default):		JST SMR-03V									
Cable Length out from lighting :	(mm)	500									
Pin Configuration :		Pin				Signal				Cable Color	
		1				LED +				RED	
		2				N.C.				---	
		3				LED -				WHITE	
											
Application											
Illumination Type		Indirect Illumination									
Application Use		Crack, chip, stains and mark on cylindrical surface or shafts.									