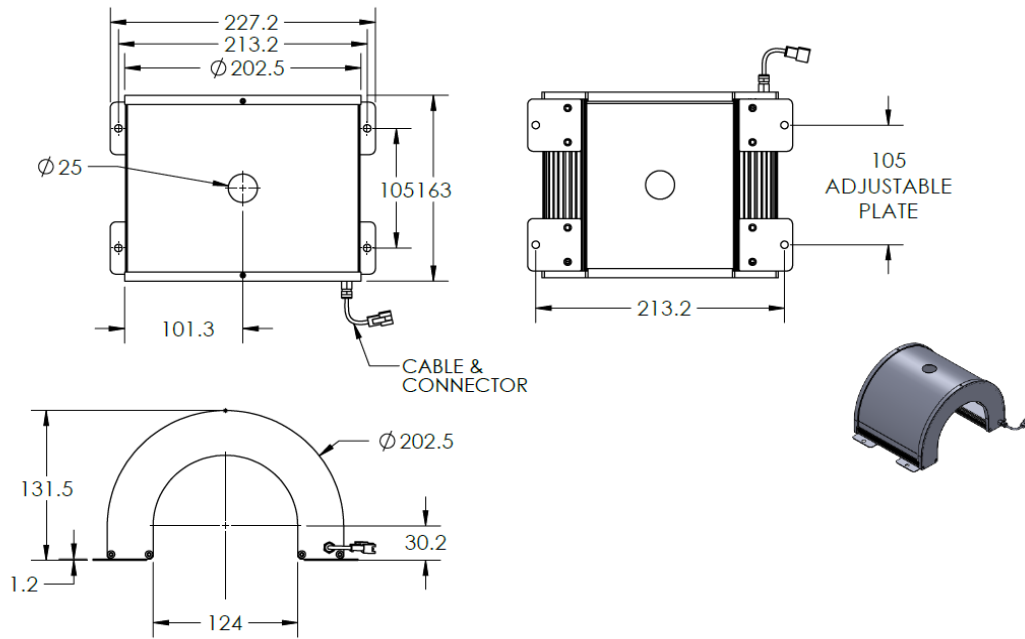




ILLUMINATOR DATA-ID

IDT3-00-200-1-W-24V

Lighting Dimension




Mechanical Information	
Casing Material	Aluminium
Storage Temperature Range	Temp 0-45°C, Humidity 20-85%
Weight	750 g
Length / Outer Diameter	163 mm
Width / Inner Diameter	227.2
Thickness / Height	131.5 mm



ILLUMINATOR DATA-ID

IDT3-00-200-1-W-24V

Optical Information		IDT3-00-120-1-W-24V																							
Part Number		IDT3-00-120-1-W-24V																							
LED Color		WHITE																							
Wavelength (nm)		* Refer to the Chromaticity Table Below																							
Intensity (±15%) (Lux)		TBA	TBA	TBA																					
Working Distance (mm)		40	50	60																					
Illumination (number of row)		1																							
Illumination Active Area																									
Active Length / Outer Diameter (mm)		147																							
Active Width / Inner Diameter (mm)		126																							
Emission angle (deg.)		0																							
Eye Safety Class (IEC62471)		EXEMPT																							
*CHROMATICITY TABLE		<table border="1"> <tr> <td>X</td> <td>0.296</td> <td>0.287</td> <td>0.307</td> <td>0.311</td> <td>X</td> <td>0.311</td> <td>0.307</td> <td>0.33</td> <td>0.33</td> </tr> <tr> <td>Y</td> <td>0.276</td> <td>0.295</td> <td>0.315</td> <td>0.294</td> <td>Y</td> <td>0.294</td> <td>0.315</td> <td>0.339</td> <td>0.318</td> </tr> </table>				X	0.296	0.287	0.307	0.311	X	0.311	0.307	0.33	0.33	Y	0.276	0.295	0.315	0.294	Y	0.294	0.315	0.339	0.318
X	0.296	0.287	0.307	0.311	X	0.311	0.307	0.33	0.33																
Y	0.276	0.295	0.315	0.294	Y	0.294	0.315	0.339	0.318																
Electrical Information																									
Lighting Supply Voltage (constant voltage mode)		24V ± 2%																							
Continuous Current (mA)		400																							
Power Consumption (W)		9.6																							
Lighting casing temperature, Operating after 60 minutes (°C)		TBA																							
Strobe Mode Specification																									
Pulse Operation		YES																							
Max. Lighting Supply Voltage (Constant voltage power supply) (V)		Pulsing at 24VDC to 48VDC, 0-10% Duty Cycle Recommended at 36VDC																							
Pulse Current, (Max. 10msec) (Constant current power supply) (mA)		1200																							
Max. Trigger Pulse Duration (msec)		10																							
Duty Cycle		0-10%																							
Additional Information																									
Additional Cooling Method		Attached to machine part for better heat dissipation																							
Intensity Controller Selection		ANG, ST, SD and SDA Series																							
CE Conformity		YES																							
RoHS Compliance		YES																							
Connection																									
Connector Type (Default):		JST SMR-03V																							
Cable Length out from lighting : (mm)		500																							
Pin Configuration :		Pin	Signal	Cable Color																					
		1	LED +	RED																					
		2	N.C.	---																					
		3	LED -	WHITE																					
																									
Application																									
Illumination Type		Indirect Illumination																							
Applicattion Use		Crack, chip, stains and mark on cylindrical surface or shafts.																							