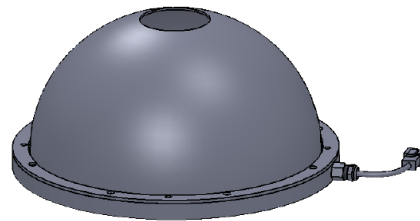
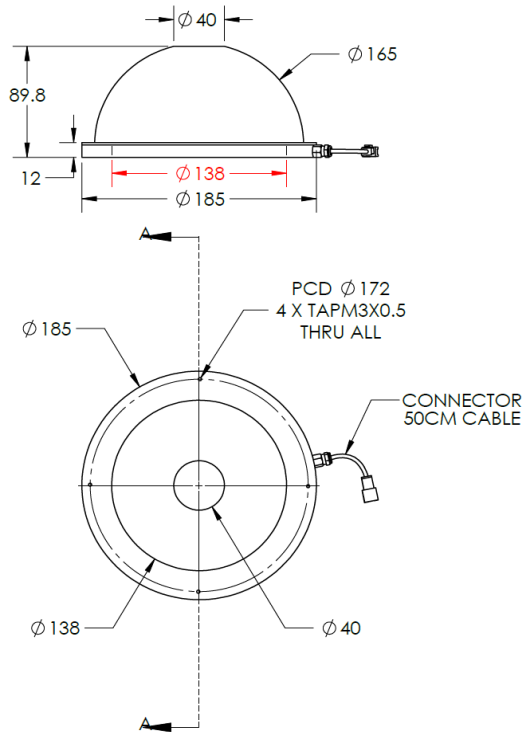




ILLUMINATOR DATA-ID

IDS5-00-150-1-G-24V

Lighting Dimension



SECTION A-A
SCALE 1 : 3.5




| Mechanical Information | |
|---------------------------|------------------------------|
| Casing Material | Aluminium |
| Storage Temperature Range | Temp 0-45°C, Humidity 20-85% |
| Weight | 483 g |
| Length / Outer Diameter | 185 mm |
| Width / Inner Diameter | 40 mm |
| Thickness / Height | 89.8 mm |



ILLUMINATOR DATA-ID

IDS5-00-150-1-G-24V

| Optical Information | | | |
|--|---|--------|-------------|
| Part Number | IDS5-00-150-1-G-24V | | |
| LED Color | BLUE | | |
| Wavelength (nm) | 540 | | |
| Intensity (±15%) (Lux) | 34700 | 29700 | 21900 |
| Working Distance (mm) | 50 | 60 | 80 |
| Illumination (number of row) | 1 | | |
| Illumination Active Area | | | |
| Active Length / Outer Diameter (mm) | 138 | | |
| Active Width / Inner Diameter (mm) | 40 | | |
| Emission angle (deg.) | 0 | | |
| Eye Safety Class (IEC62471) | EXEMPT | | |
| Electrical Information | | | |
| Lighting Supply Voltage (constant voltage mode) | 24V ± 2% | | |
| Continuous Current (mA) | 930 | | |
| Power Consumption (W) | 22.32 | | |
| Lighting casing temperature, Operating after 60 minutes (°C) | 61 | | |
| Strobe Mode Specification | | | |
| Pulse Operation | YES | | |
| Max. Lighting Supply Voltage (Constant voltage power supply) (V) | Pulsing at 24VDC to 48VDC, 0-10% Duty Cycle, Recommended at 36VDC | | |
| Pulse Current, (Max. 10msec) (Constant current power supply) (mA) | 2790 | | |
| Max. Trigger Pulse Duration (msec) | 10 | | |
| Duty Cycle | 0-10% | | |
| Additional Information | | | |
| Additional Cooling Method | Attached to machine part for better heat dissipation | | |
| Intensity Controller Selection | ANG, ST, SD and SDA Series | | |
| CE Conformity | YES | | |
| RoHS Compliance | YES | | |
| Connection | | | |
| Connector Type (Default): | JST SMR-03V | | |
| Cable Length out from lighting : (mm) | 500 | | |
| Pin Configuration : | Pin | Signal | Cable Color |
| | 1 | LED + | RED |
| | 2 | N.C. | --- |
| | 3 | LED - | WHITE |
|  | | | |
| Application | | | |
| Illumination Type | Indirect Illumination | | |
| Applicattion Use | Crack, chip, stains on circular or cylindrical objects, solder inspection and substract inspection. | | |



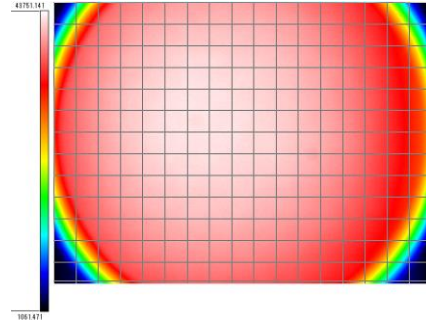
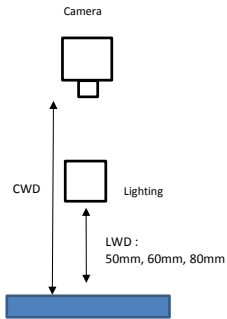
ILLUMINATOR DATA-ID

IDS5-00-150-1-G-24V

Uniform Graph (Relative Irradiation Strength) - Representative pattern

Lens focal length, $f = \text{Infinity}$
CWD = 222mm
LWD = 50mm, 60mm, 80mm
Lighting angle: 0°

| Tolerance | L X W |
|-----------|---------|
| 10% | 55 X 57 |
| 20% | 75 X 65 |
| 30% | 84 X 65 |
| 40% | 86 X 65 |



* 1 cell = 5mm x 5mm