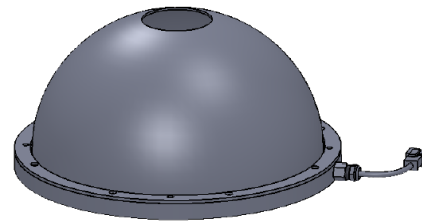
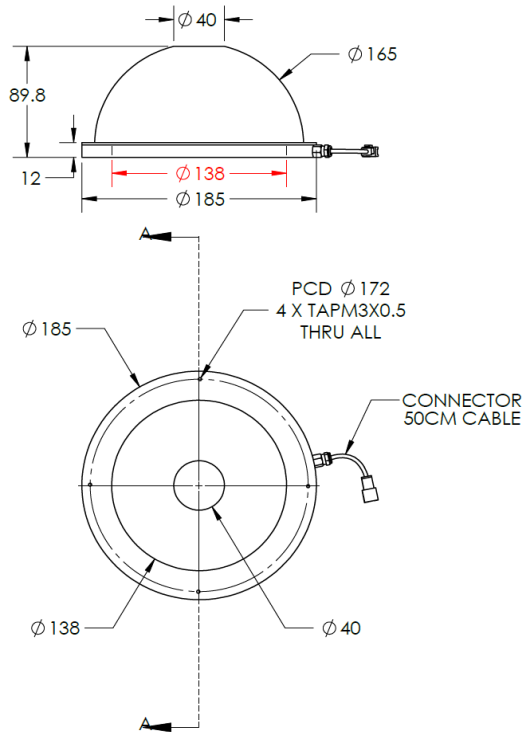




ILLUMINATOR DATA-ID

IDS5-00-150-1-R-24V

Lighting Dimension



SECTION A-A
SCALE 1 : 3.5




Mechanical Information	
Casing Material	Aluminium
Storage Temperature Range	Temp 0-45°C, Humidity 20-85%
Weight	483 g
Length / Outer Diameter	185 mm
Width / Inner Diameter	40 mm
Thickness / Height	89.8 mm



ILLUMINATOR DATA-ID

IDS5-00-150-1-R-24V

Optical Information				
Part Number	IDS5-00-150-1-R-24V			
LED Color	RED			
Wavelength	(nm)	620		
Intensity (±15%)	(Lux)	7300	6280 4660	
Working Distance	(mm)	50	60 80	
Illumination (number of row)	1			
Illumination Active Area				
Active Length / Outer Diameter	(mm)	138		
Active Width / Inner Diameter	(mm)	40		
Emission angle	(deg.)	0		
Eye Safety Class (IEC62471)	EXEMPT			
Electrical Information				
Lighting Supply Voltage (constant voltage mode)	24V ± 2%			
Continuous Current	(mA)	900		
Power Consumption	(W)	21.6		
Lighting casing temperature, Operating after 60 minutes	°C	58.2		
Strobe Mode Specification				
Pulse Operation	YES			
Max. Lighting Supply Voltage (Constant voltage power supply)	(V)	Pulsing at 24VDC to 48VDC, 0-10% Duty Cycle, Recommended at 36VDC		
Pulse Current, (Max. 10msec) (Constant current power supply)	(mA)	2700		
Max. Trigger Pulse Duration	(msec)	10		
Duty Cycle	0-10%			
Additional Information				
Additional Cooling Method	Attached to machine part for better heat dissipation			
Intensity Controller Selection	ANG, ST, SD and SDA Series			
CE Conformity	YES			
RoHS Compliance	YES			
Connection				
Connector Type (Default):	JST SMR-03V			
Cable Length out from lighting :	(mm)	500		
Pin Configuration :		Pin	Signal	Cable Color
		1	LED +	RED
		2	N.C.	---
		3	LED -	WHITE
				
Application				
Illumination Type	Indirect Illumination			
Applicattion Use	Crack, chip, stains on circular or cylindrical objects, solder inspection and substract inspection.			



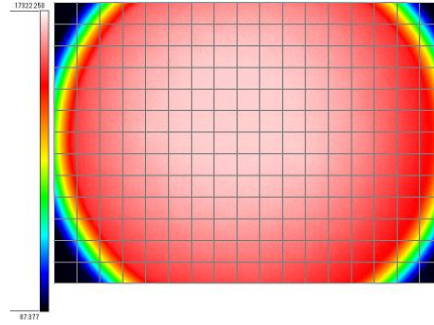
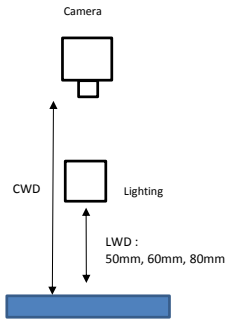
ILLUMINATOR DATA-ID

IDS5-00-150-1-R-24V

Uniform Graph (Relative Irradiation Strength) - Representative pattern

Lens focal length, $f = \text{Infinity}$
CWD = 222mm
LWD = 50mm, 60mm, 80mm
Lighting angle: 0°

Tolerance	L X W
10%	49 X 50
20%	74 X 65
30%	81 X 65
40%	83 X 65



* 1 cell = 5mm x 5mm