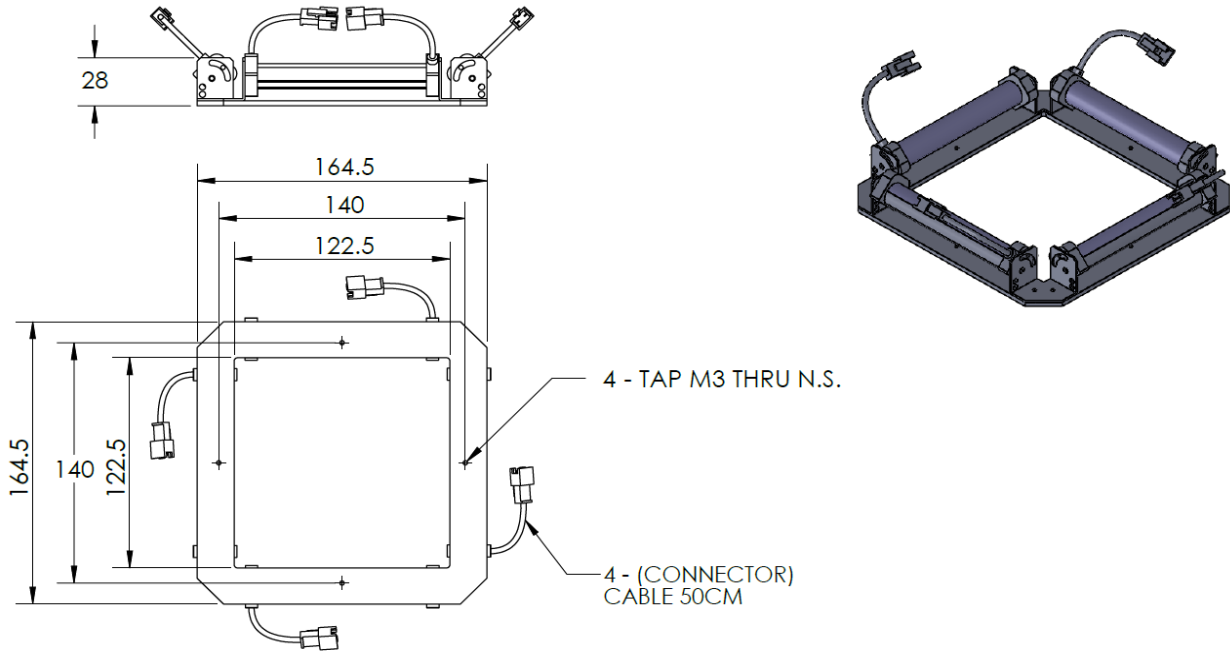




# ILLUMINATOR DATA-ID

## LBDQ-00-100-1-B-24V

### Lighting Dimension




| Mechanical Information    |                              |
|---------------------------|------------------------------|
| Casing Material           | Aluminium                    |
| Storage Temperature Range | Temp 0-45°C, Humidity 20-85% |
| Weight                    | 320g                         |
| Length / Outer Diameter   | 164.5 mm                     |
| Width / Inner Diameter    | 122.5 mm                     |
| Thickness / Height        | 28mm                         |



# ILLUMINATOR DATA-ID

## LBDQ-00-100-1-B-24V

| Optical Information  |  |   |           |             |
|--|--|---|-----------|-------------|
| Part Number  | LBDQ-00-100-1-B-24V                                      |   |           |             |
| LED Color  | BLUE   |   |           |             |
| Wavelength   | (nm)   | 470   |           |             |
| Intensity (±15%)   | (Lux)  | 2340  | 2810 3180 |             |
| Working Distance   | (mm)   | 27  | 32 37     |             |
| Illumination (number of row)   | 1  |   |           |             |
| Illumination Active Area   |  |   |           |             |
| Active Length / Outer Diameter   | (mm)   | 164   |           |             |
| Active Width / Inner Diameter  | (mm)   | 122   |           |             |
| Emission angle   | (deg.)   | 0   |           |             |
| Eye Safety Class ( IEC62471 )  | II   |   |           |             |
| Electrical Information   |  |   |           |             |
| Lighting Supply Voltage<br>(constant voltage mode)                                   | 24V ± 2%   |   |           |             |
| Continuous Current   | (mA)   | 240   |           |             |
| Power Consumption  | (W)  | 5.76  |           |             |
| Lighting casing temperature,<br>Operating after 60 minutes                           | °C   | 47.2  |           |             |
| Strobe Mode Specification  |  |   |           |             |
| Pulse Operation  | YES  |   |           |             |
| Max. Lighting Supply Voltage<br>(Constant voltage power supply)                      | (V)  | Pulsing at 24VDC to 48VDC, 0-10% Duty Cycle<br>Recommended at 36VDC |           |             |
| Pulse Current, (Max. 10msec)<br>(Constant current power supply)                      | (mA)   | 720   |           |             |
| Max. Trigger Pulse Duration  | (msec)   | 10  |           |             |
| Duty Cycle   | 0-10%  |   |           |             |
| Additional Information   |  |   |           |             |
| Additional Cooling Method  | Attached to machine part for better heat dissipation     |   |           |             |
| Intensity Controller Selection   | ANG, ST, SD and SDA Series                               |   |           |             |
| CE Conformity  | YES  |   |           |             |
| RoHS Compliance  | YES  |   |           |             |
| Connection   |  |   |           |             |
| Connector Type (Default):  | JST SMR-03V  |   |           |             |
| Cable Length out from lighting :   | (mm)   | 500   |           |             |
| Pin Configuration :  |  | Pin   | Signal    | Cable Color |
|  |  | 1   | LED +     | RED         |
|  |  | 2   | N.C.      | ---         |
|  |  | 3   | LED -     | WHITE       |
|  |  |   |           |             |
| Application  |  |   |           |             |
| Illumination Type  | Diffused Illumination                                    |   |           |             |
| Appicattion Use  | Label inspection, character inspection, code recognition |   |           |             |