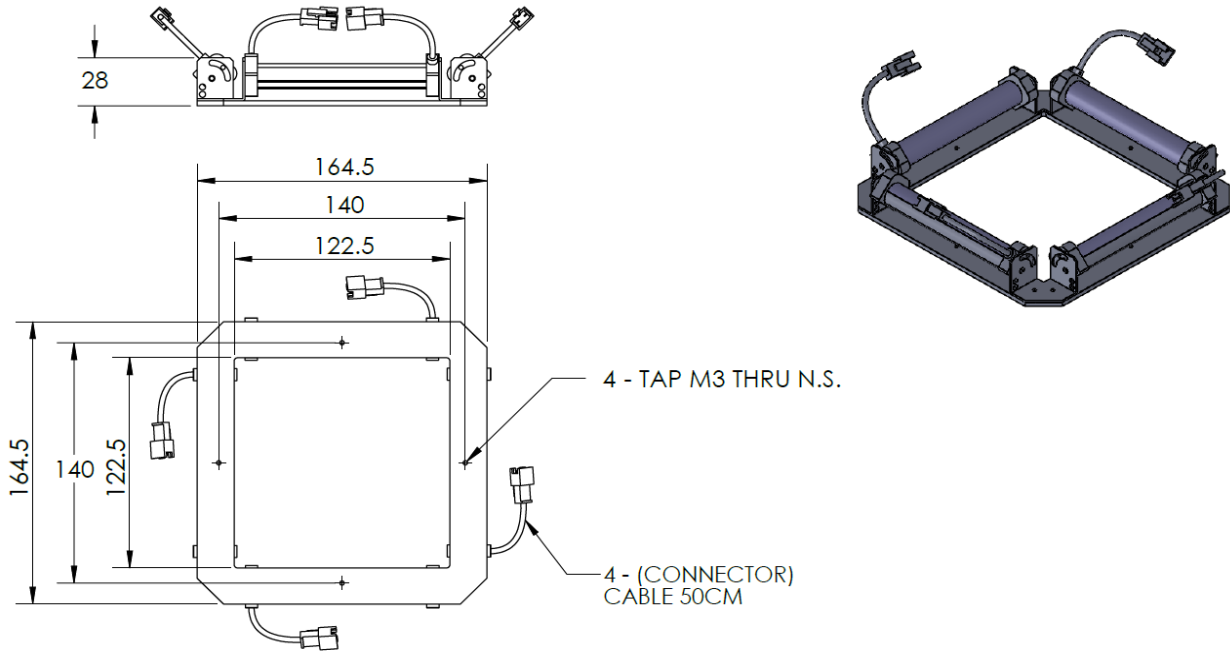




ILLUMINATOR DATA-ID

LBDQ-00-100-1-R-24V

Lighting Dimension




Mechanical Information	
Casing Material	Aluminium
Storage Temperature Range	Temp 0-45°C, Humidity 20-85%
Weight	320g
Length / Outer Diameter	164.5 mm
Width / Inner Diameter	122.5 mm
Thickness / Height	28mm



ILLUMINATOR DATA-ID

LBDQ-00-100-1-R-24V

Optical Information				
Part Number	LBDQ-00-100-1-R-24V			
LED Color	RED			
Wavelength	(nm)	660		
Intensity (±15%)	(Lux)	1741.5	1876.5 2025	
Working Distance	(mm)	27	32 37	
Illumination (number of row)	1			
Illumination Active Area				
Active Length / Outer Diameter	(mm)	164		
Active Width / Inner Diameter	(mm)	122		
Emission angle	(deg.)	0		
Eye Safety Class (IEC62471)	EXEMPT			
Electrical Information				
Lighting Supply Voltage (constant voltage mode)	24V ± 2%			
Continuous Current	(mA)	240		
Power Consumption	(W)	5.76		
Lighting casing temperature, Operating after 60 minutes	°C	49.6		
Strobe Mode Specification				
Pulse Operation	YES			
Max. Lighting Supply Voltage (Constant voltage power supply)	(V)	Pulsing at 24VDC to 48VDC, 0-10% Duty Cycle Recommended at 36VDC		
Pulse Current, (Max. 10msec) (Constant current power supply)	(mA)	720		
Max. Trigger Pulse Duration	(msec)	10		
Duty Cycle	0-10%			
Additional Information				
Additional Cooling Method	Attached to machine part for better heat dissipation			
Intensity Controller Selection	ANG, ST, SD and SDA Series			
CE Conformity	YES			
RoHS Compliance	YES			
Connection				
Connector Type (Default):	JST SMR-03V			
Cable Length out from lighting :	(mm)	500		
Pin Configuration :		Pin	Signal	Cable Color
		1	LED +	RED
		2	N.C.	---
		3	LED -	WHITE
				
Application				
Illumination Type	Diffused Illumination			
Appicattion Use	Label inspection, character inspection, code recognition			