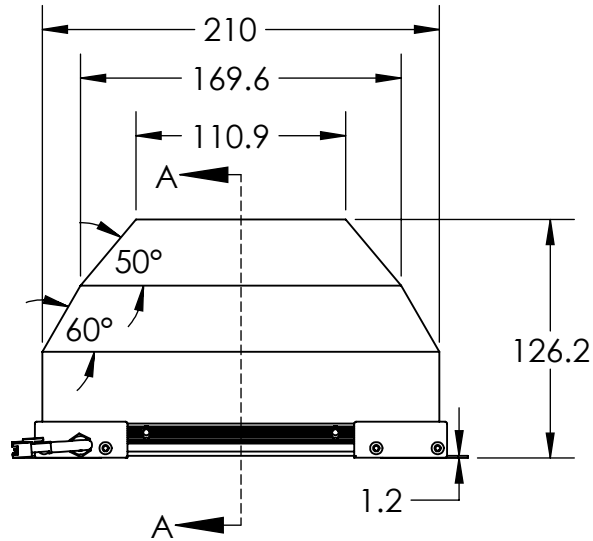
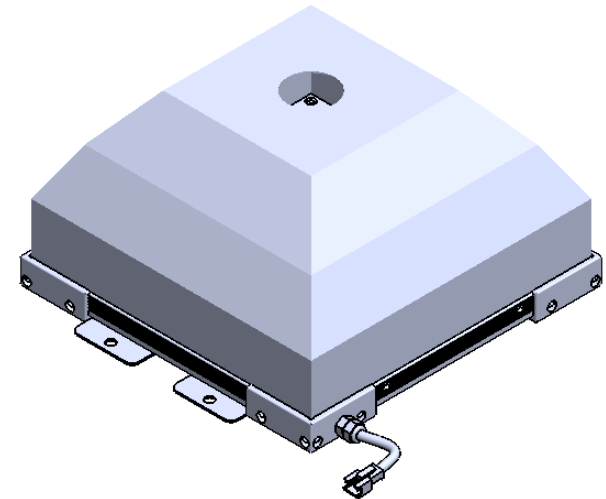
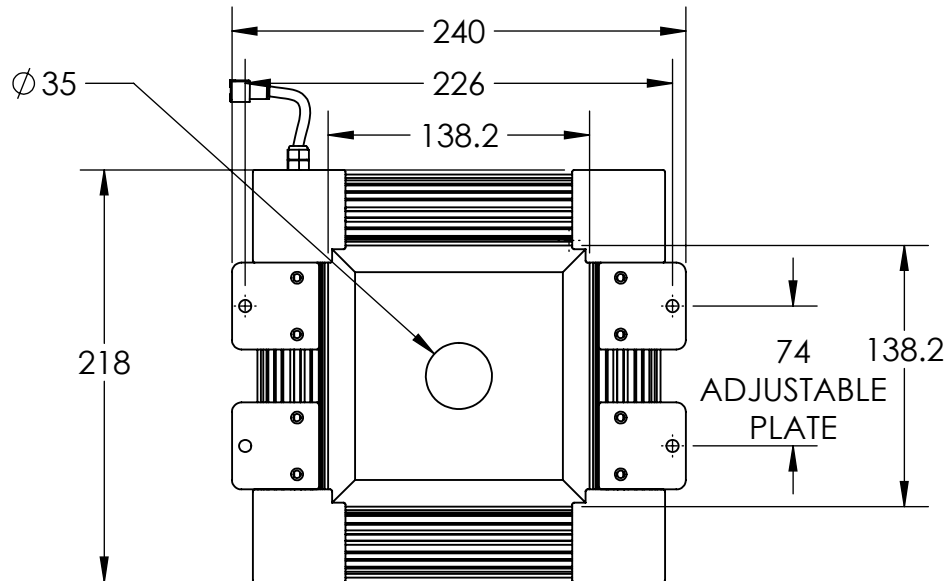
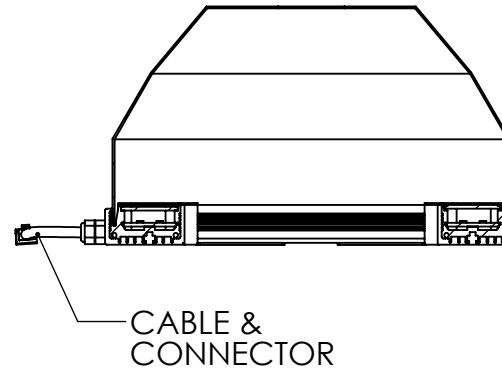


REVISIONS			
REV.	DESCRIPTIONS	EDIT BY	DATE:(d/m/y)



SECTION A-A
SCALE 1 : 4



DESIGN BY	KB TAN	UNIT:	PRODUCT SERIES: IDQ3 SERIES	
CHECK BY	KB TAN	MM	TITLE	DRAWING LAYOUT
DATE	15/01/2016	REVISION:	PART NO	IDQ3-00-120-X-X-24V
MATERIAL	-	01	DWG NO	-
FINISHING	-	SCALE:	SHEET 1 OF 1	
QTY	-	1 : 4		

