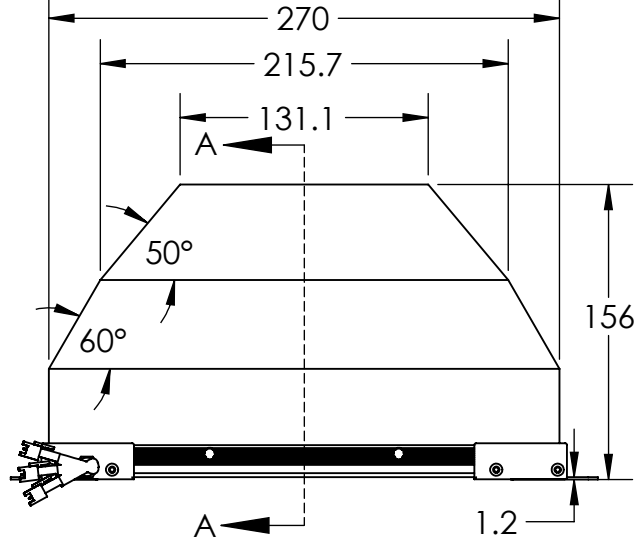


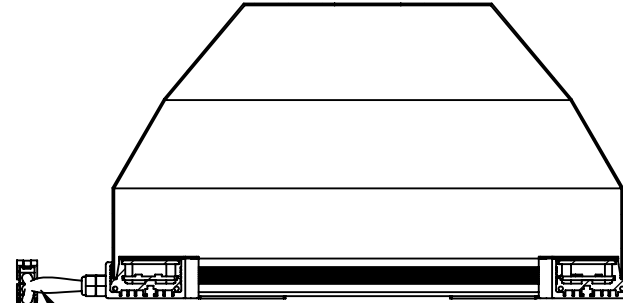
REVISIONS			
REV.	DESCRIPTIONS	EDIT BY	DATE:(d/m/y)

D

D



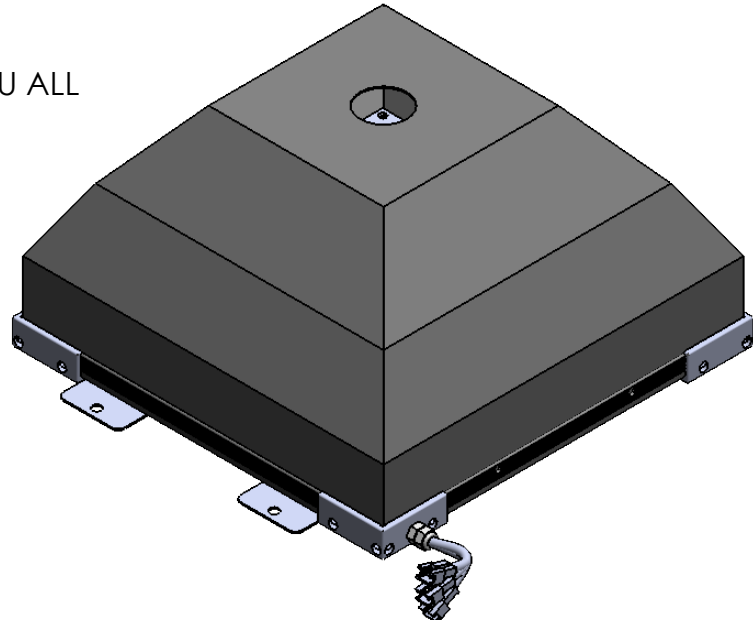
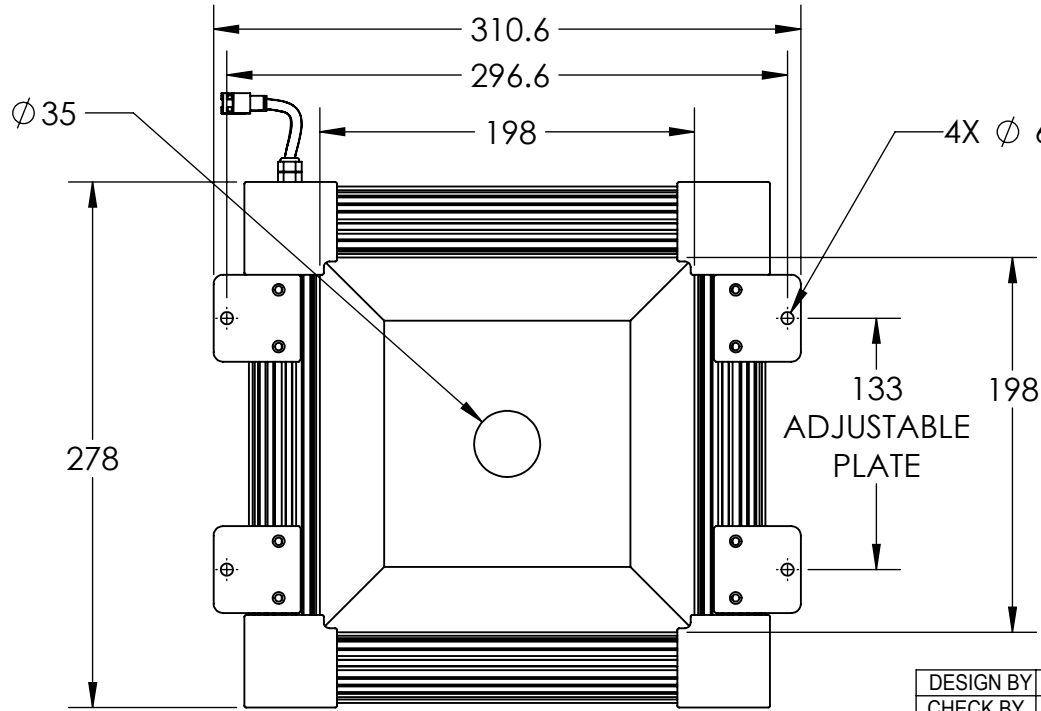
SECTION A-A
SCALE 1 : 4



RGB CABLE &
CONNECTOR

C

C



B

B

A

A

DESIGN BY	KB TAN	UNIT:	PRODUCT SERIES: IDQ3 SERIES	
CHECK BY	KB TAN	MM	TITLE	DRAWING LAYOUT
DATE	15/01/2016	REVISION:	PART NO	IDQ3-00-190-X-RGB-24V
MATERIAL	-	01	DWG NO	-
FINISHING	-	SCALE:	SHEET 1 OF 1	
QTY	-	1 : 4		

