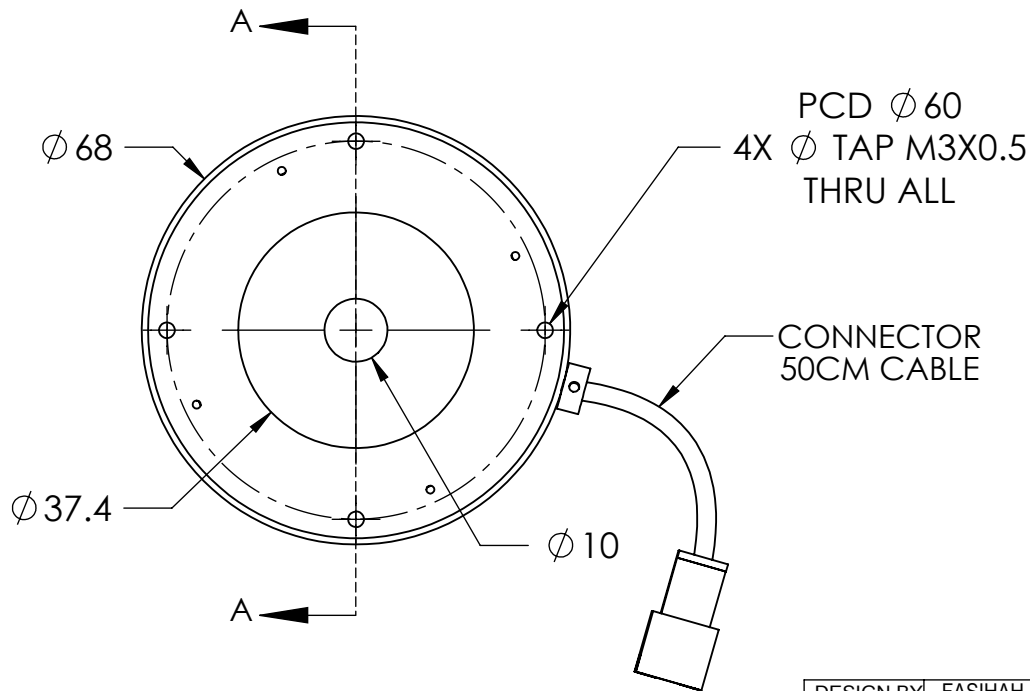
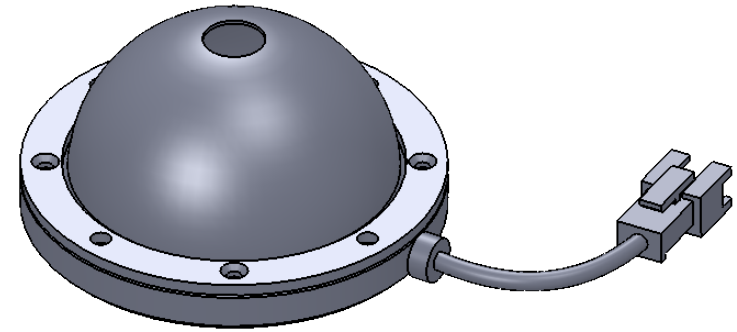
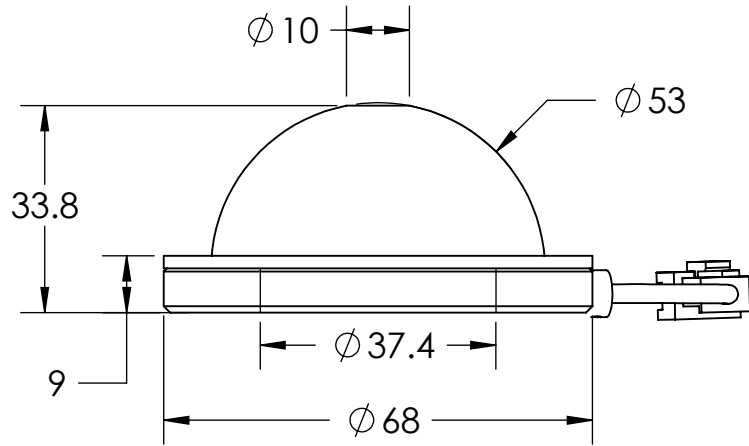
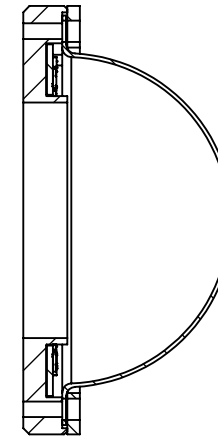


REVISIONS

ZONE	REV.	DESCRIPTIONS	DATE	APP.
------	------	--------------	------	------



SECTION A-A



DESIGN BY	FASIAH	UNIT:	MM
CHECK BY	KB TAN	REVISION:	01
DATE	15/11/2017	SCALE:	1 : 1.2
MATERIAL	-		
FINISHING	-		
QTY	-		

PRODUCT SERIES : IDS5 SERIES

TITLE	DRAWING LAYOUT	COLOUR:	-	-
PART NO	IDS5-00-050-1-X-24V	VOLTAGE:	-	-
DWG NO	-	CURRENT:	-	-
		POWER:	-	-

SHEET 1 OF 1			
--------------	--	--	--

