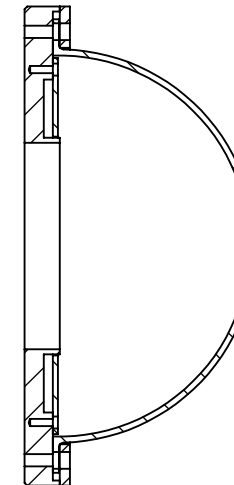
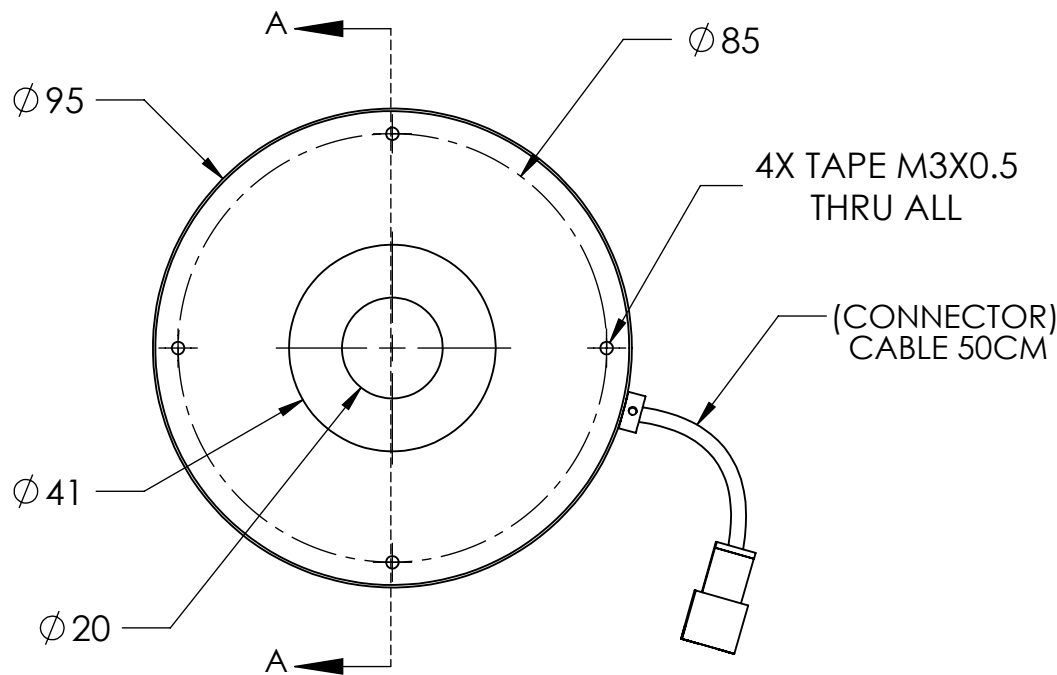
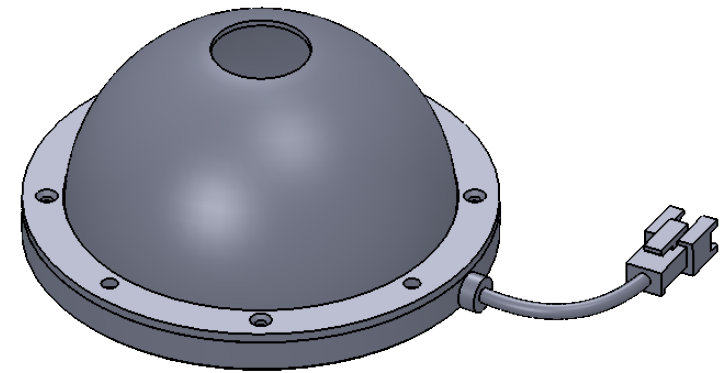
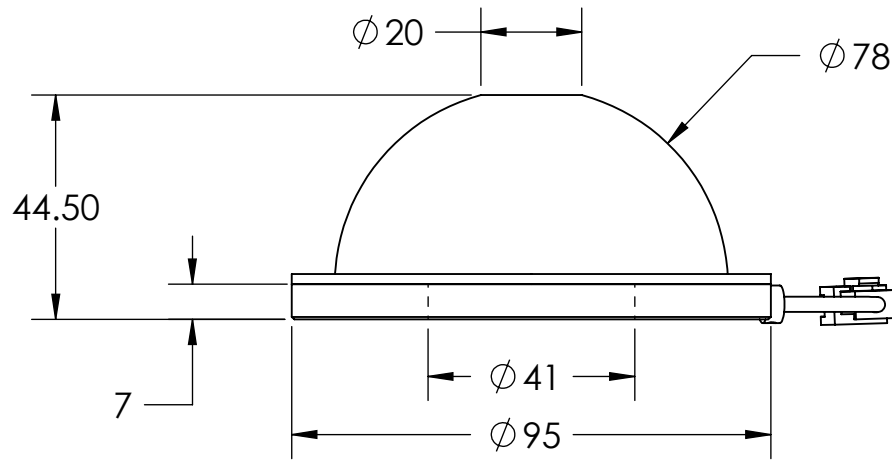


REVISIONS

ZONE	REV.	DESCRIPTIONS	DATE	APP.
------	------	--------------	------	------



DESIGN BY	AFIZA	UNIT:	PRODUCT SERIES: IDS5 SERIES		
CHECK BY	KB TAN	MM			
DATE	16/08/2016	REVISION:	TITLE	DRAWING LAYOUT	COLOUR:
MATERIAL	-	02	PART NO	IDS5-00-070-1-IR850-24V	VOLTAGE:
FINISHING	-	SCALE:	DWG NO	-	CURRENT:
QTY	-	1:1.5			POWER:
					SHEET 1 OF 1

