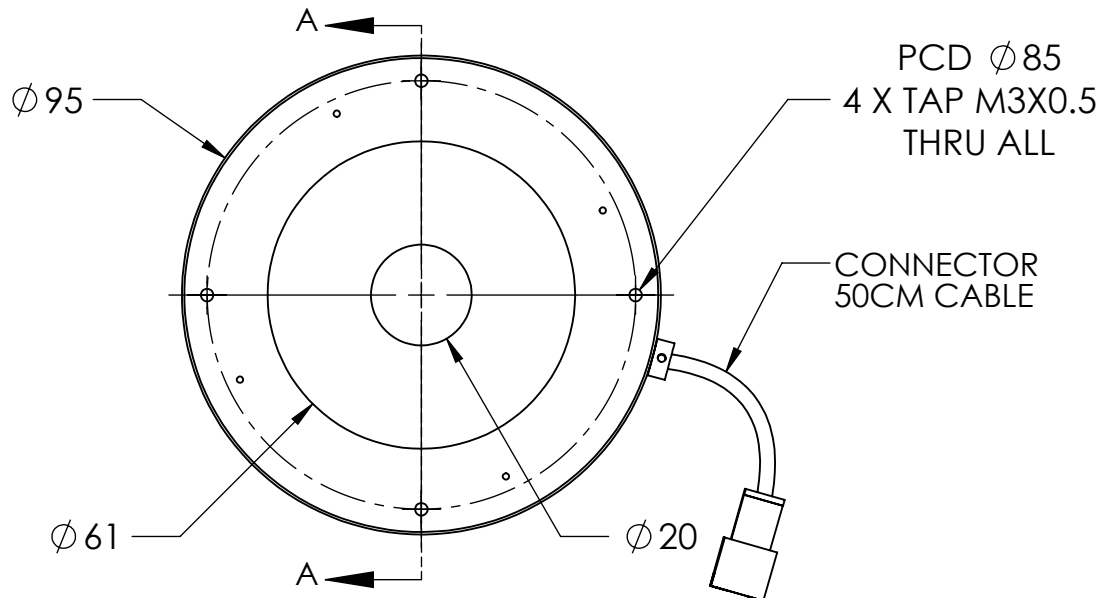
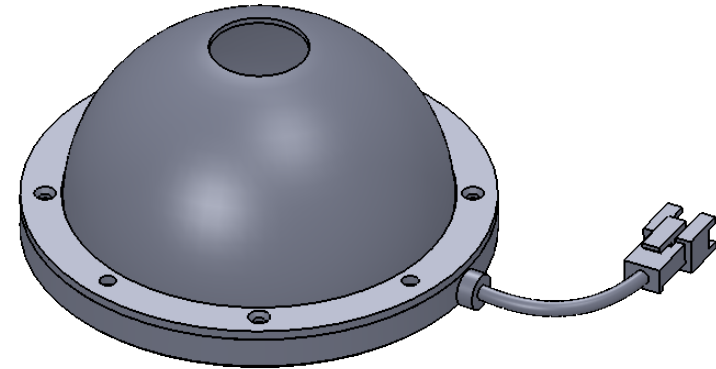
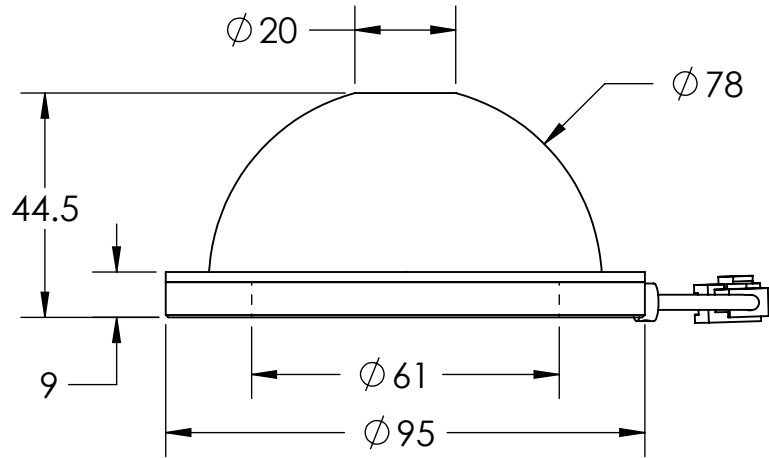
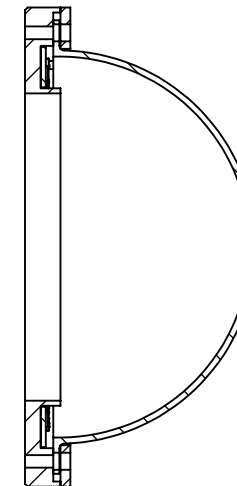


REVISIONS

ZONE	REV.	DESCRIPTIONS	DATE	APP.



SECTION A-A
SCALE 1 : 1.5



DESIGN BY	FASIAH	UNIT:	MM	PRODUCT SERIES : IDS5 SERIES				
CHECK BY	KB TAN	REVISION:	01					
DATE	15/11/2017	SCALE:	1:1.5	TITLE	DRAWING LAYOUT	COLOUR:	-	-
MATERIAL	-	PART NO	IDS5-00-070-1-X-24V	VOLTAGE:	-	-	-	-
FINISHING	-	DWG NO	-	CURRENT:	-	-	-	-
QTY	-			POWER:	-	-	-	-
				SHEET 1 OF 1				

