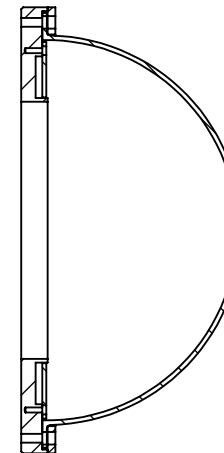
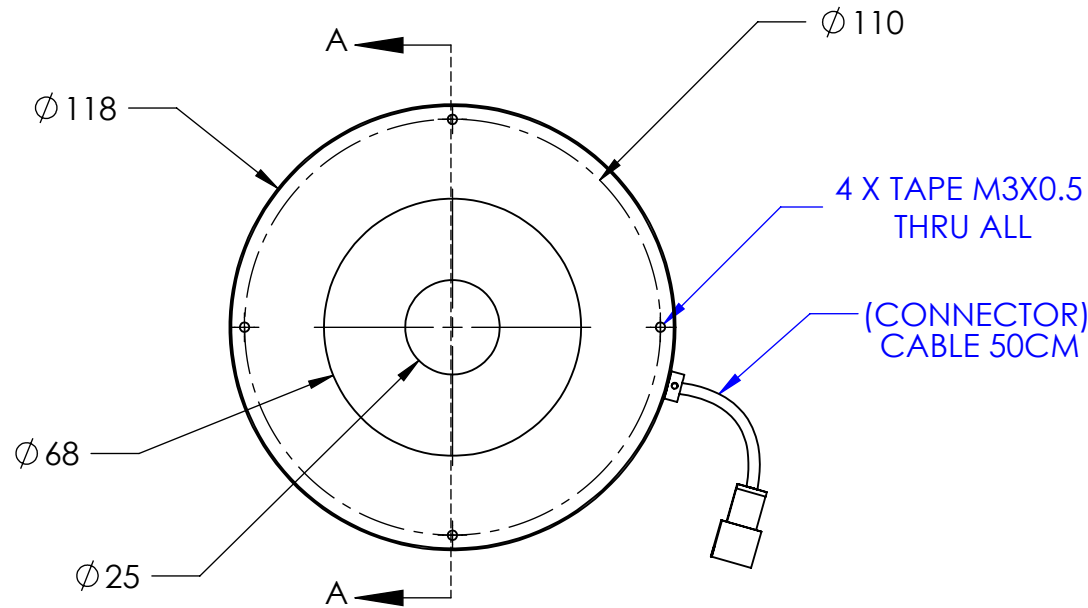
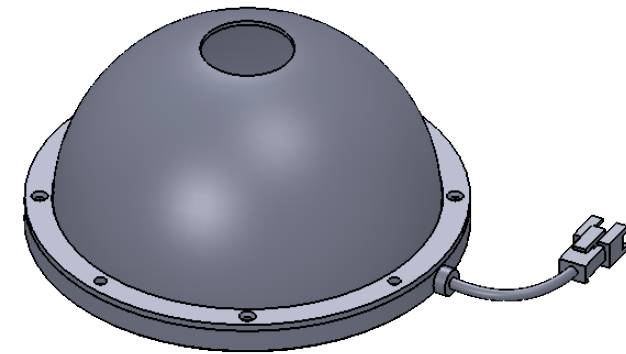
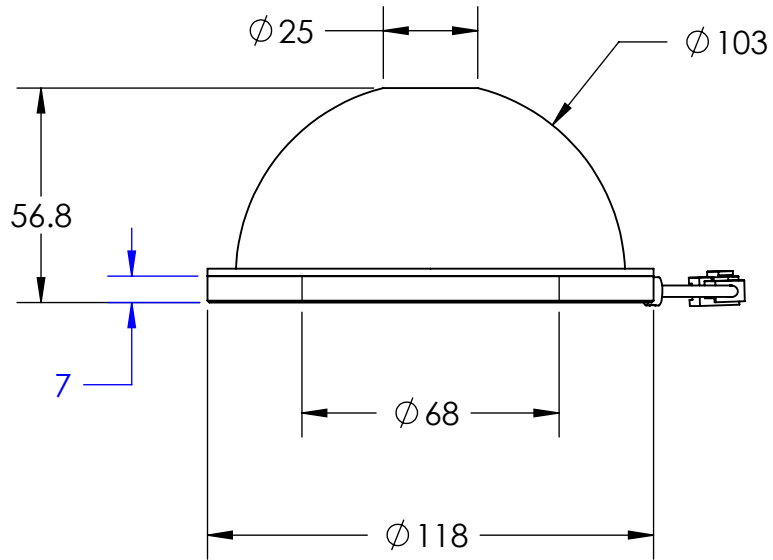


REVISIONS

ZONE	REV.	DESCRIPTIONS	DATE	APP.
------	------	--------------	------	------



DESIGN BY	AZMI
CHECK BY	KB TAN
DATE	23/1/2018
MATERIAL	-
FINISHING	-
QTY	-

UNIT:	MM
REVISION:	01
SCALE:	1:1

PRODUCT SERIES: IDS5 SERIES		
TITLE	DRAWING LAYOUT	COLOUR: - -
PART NO	IDS5-00-100-1-IR850-24V	VOLTAGE: - -
DWG NO	-	CURRENT: - -
		POWER: - -
		SHEET 1 OF 1

