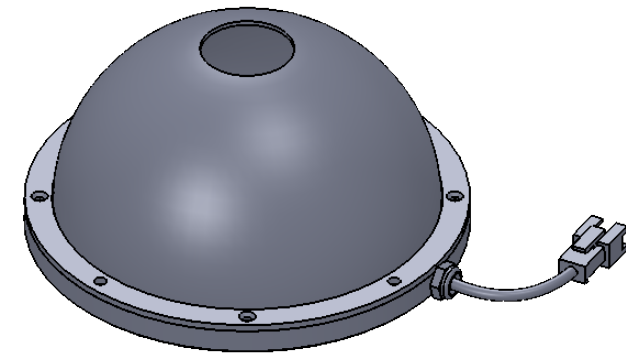
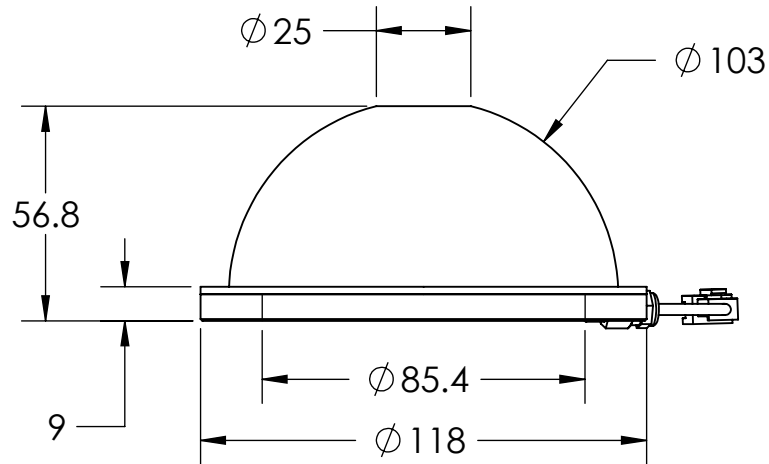
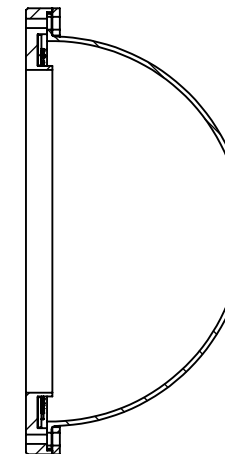
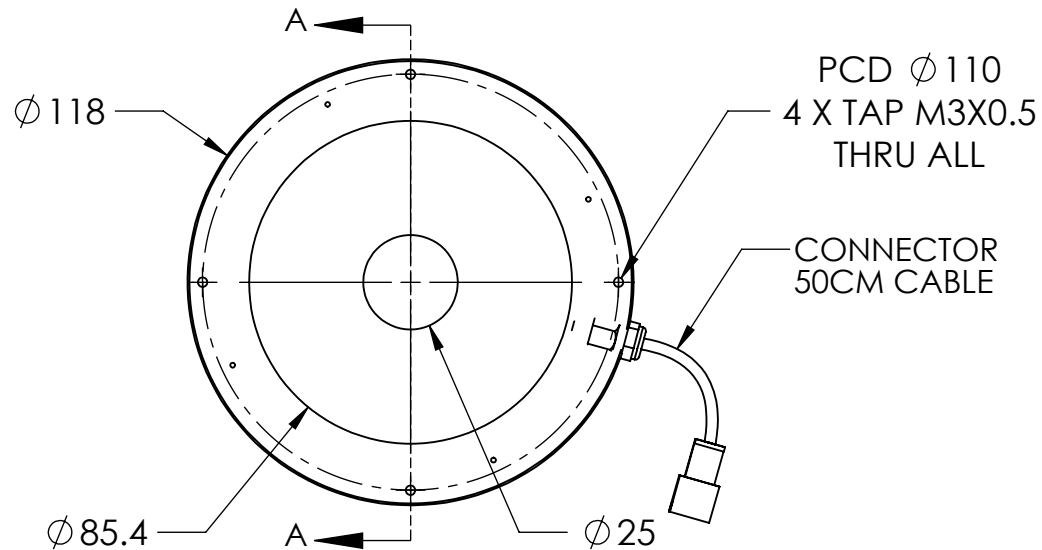


REVISIONS

ZONE	REV.	DESCRIPTIONS	DATE	APP.
------	------	--------------	------	------



SECTION A-A



DESIGN BY	FASIAH	UNIT:	PRODUCT SERIES : IDS5 SERIES		
CHECK BY	KB TAN	MM			
DATE	15/11/2017	REVISION:	TITLE	DRAWING LAYOUT	COLOUR:
MATERIAL	-	01	PART NO	IDS5-00-100-1-X-24V	VOLTAGE:
FINISHING	-	SCALE:	DWG NO	-	CURRENT:
QTY	-	1 : 2			POWER:
					SHEET 1 OF 1

