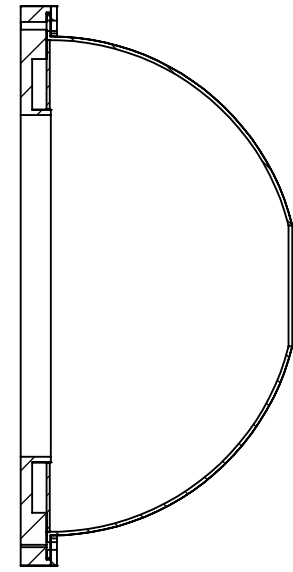
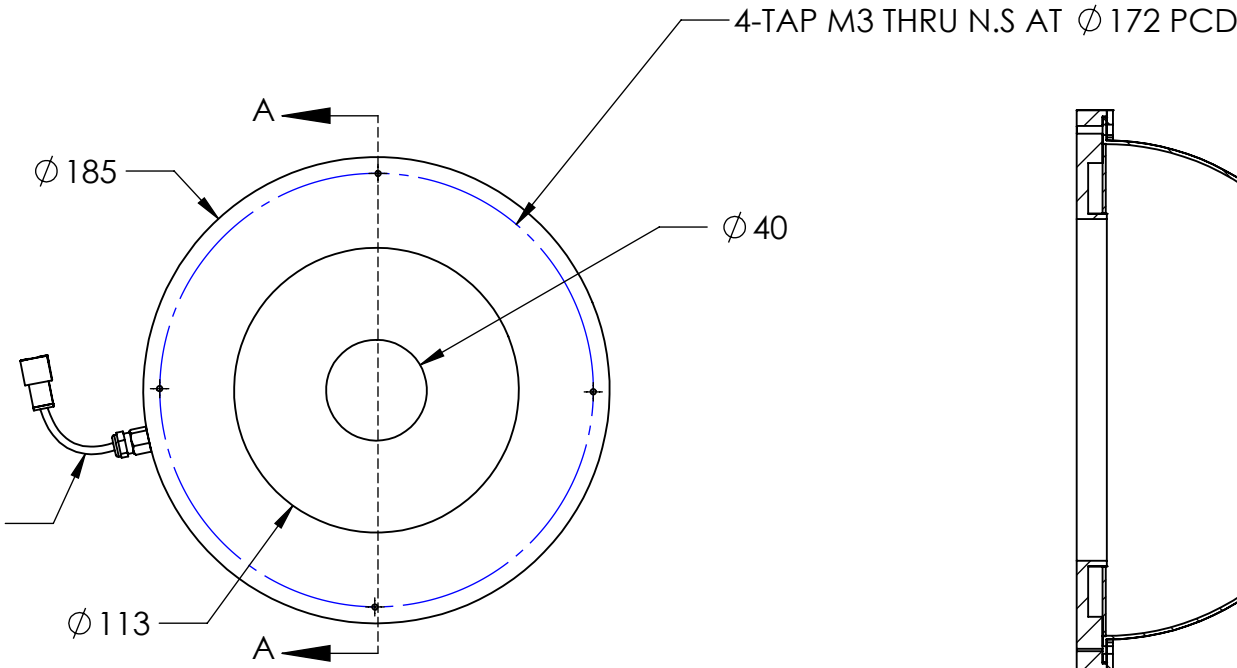
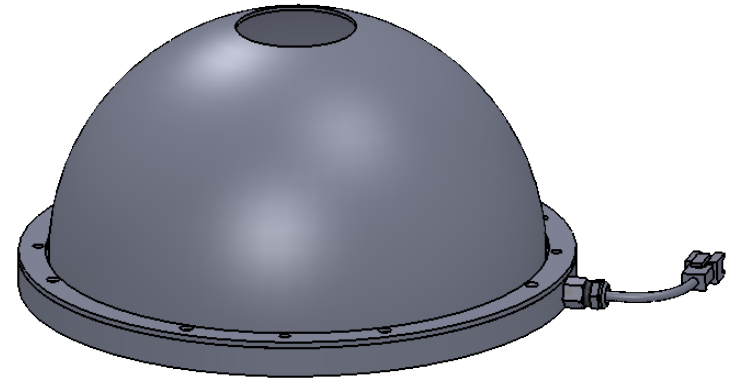
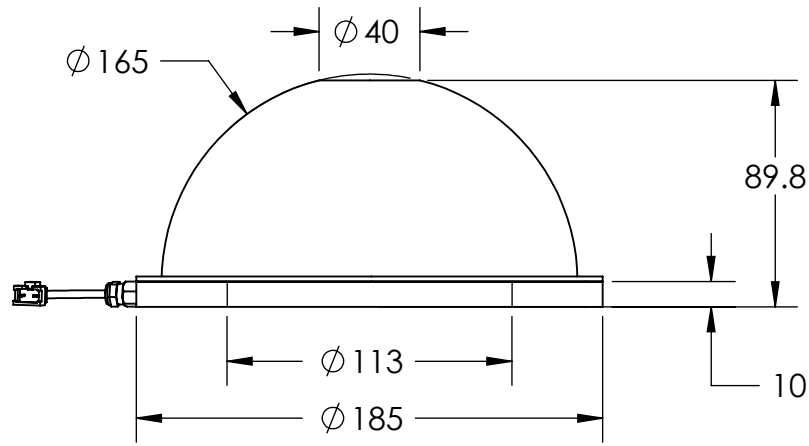


REVISIONS

ZONE	REV.	DESCRIPTIONS	DATE	APP.
------	------	--------------	------	------



DESIGN BY	AZMI	UNIT:	MM	PRODUCT SERIES: IDS5 SERIES				
CHECK BY	KB TAN	REVISION:	01					
DATE	19/1/2018	SCALE:	1 : 3	TITLE	DRAWING LAYOUT	COLOUR:	-	-
MATERIAL	-			PART NO	IDS5-00-150-1-IR850-24V	VOLTAGE:	-	-
FINISHING	-			DWG NO	-	CURRENT:	-	-
QTY	-					POWER:	-	-
						SHEET 1 OF 1		

