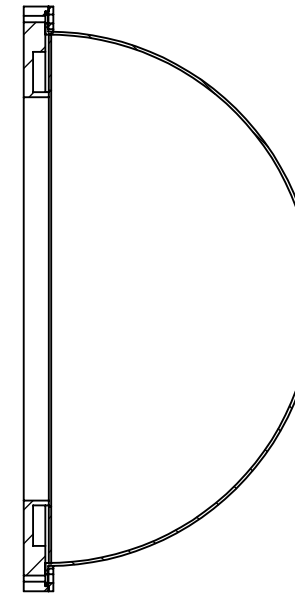
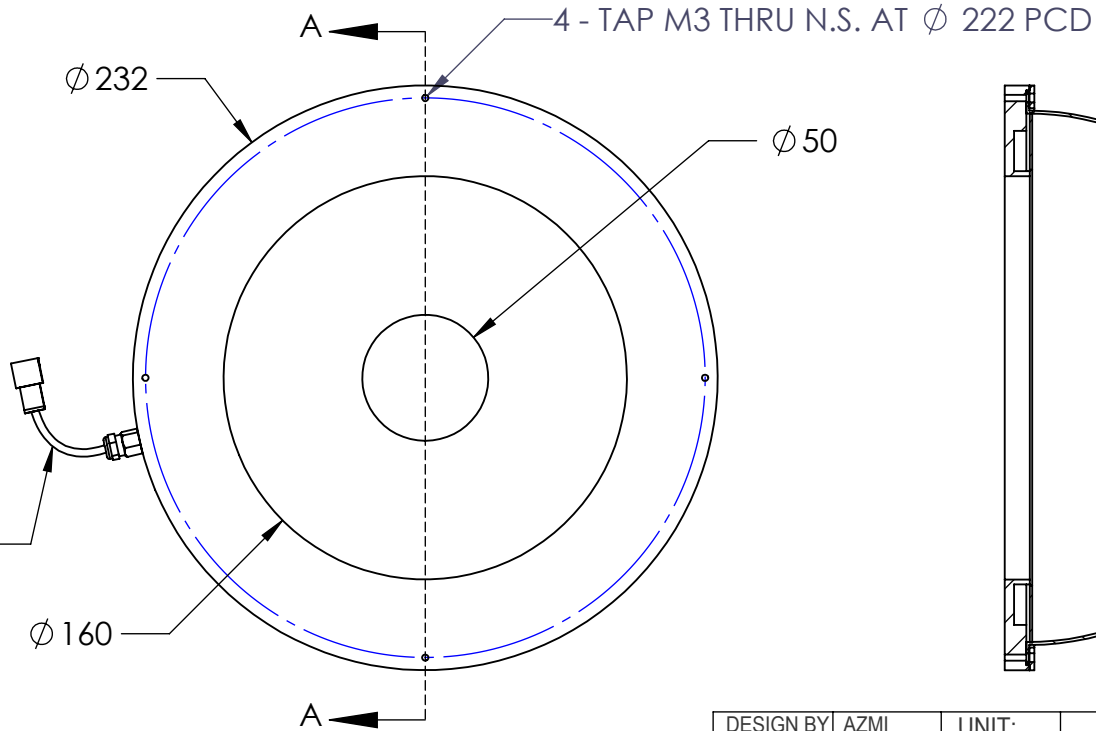
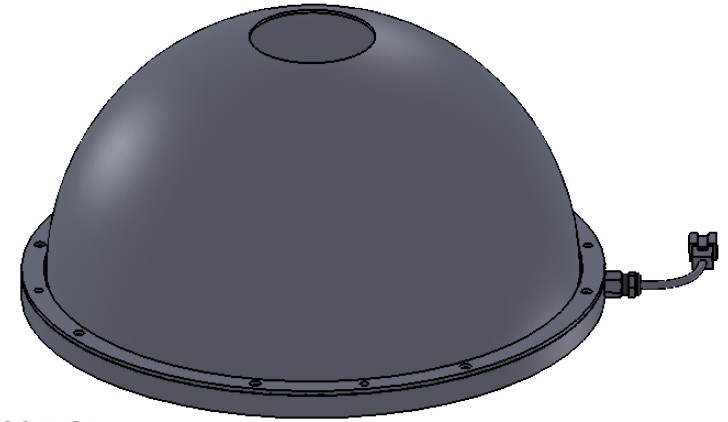
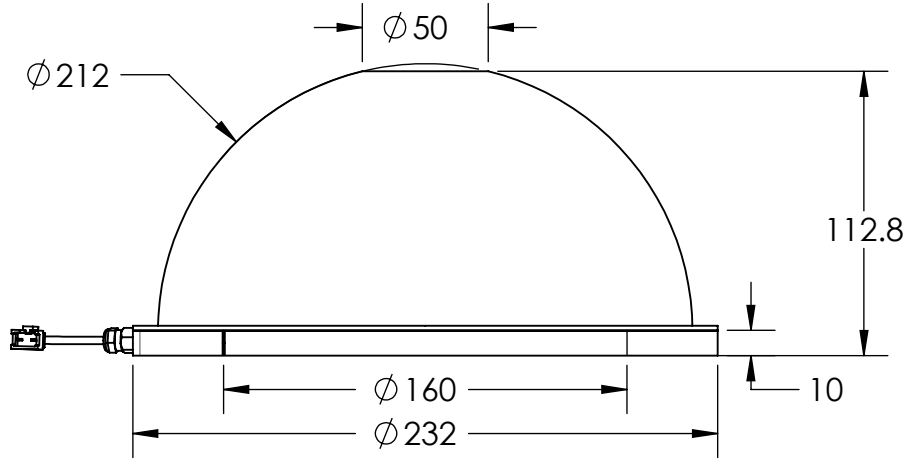


REVISIONS

ZONE	REV.	DESCRIPTIONS	DATE	APP.
------	------	--------------	------	------



(CONNECTOR)
CABLE 50CM

DESIGN BY	AZMI	UNIT:	PRODUCT SERIES: IDS5 SERIES		
CHECK BY	KB TAN	MM			
DATE	19/1/2018	REVISION:			
MATERIAL	-	01	TITLE	DRAWING LAYOUT	
FINISHING	-	SCALE:	PART NO	IDS5-00-200-1-IR850-24V	
QTY	-	1 : 3	DWG NO	-	
			COLOUR:	-	-
			VOLTAGE:	-	-
			CURRENT:	-	-
			POWER:	-	-
			SHEET 1 OF 1		

