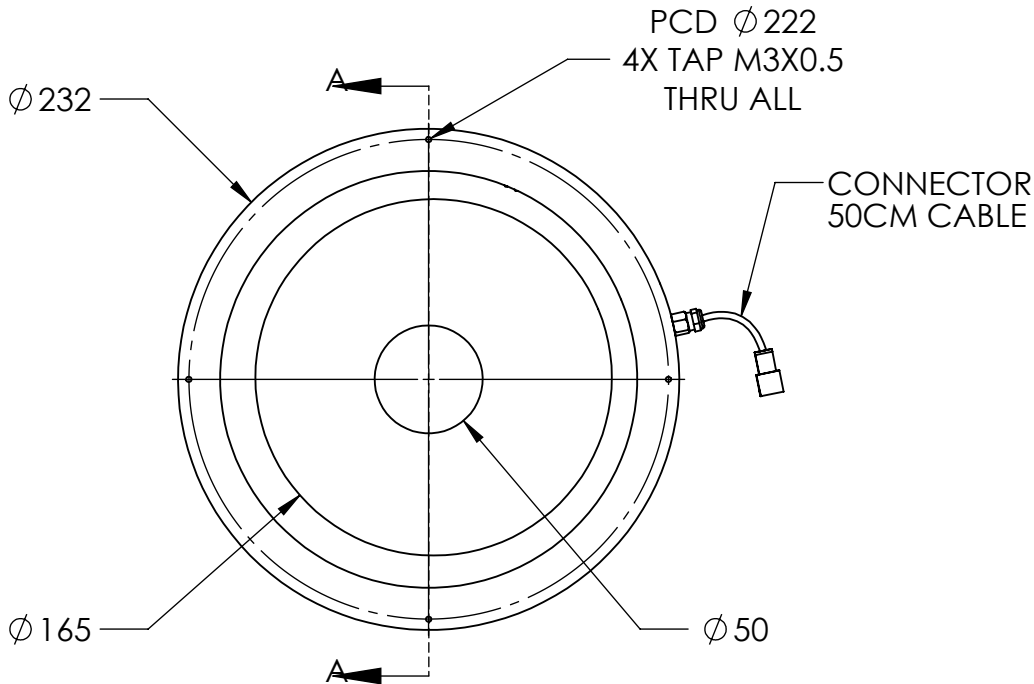
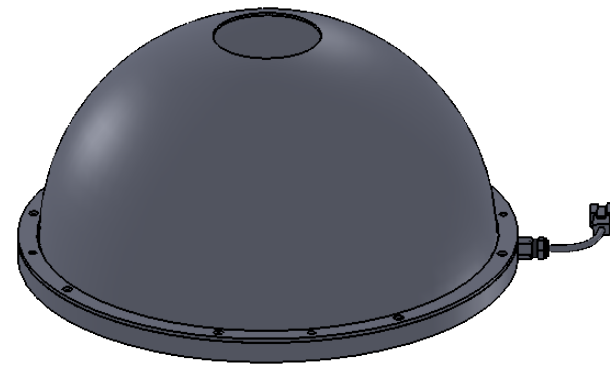
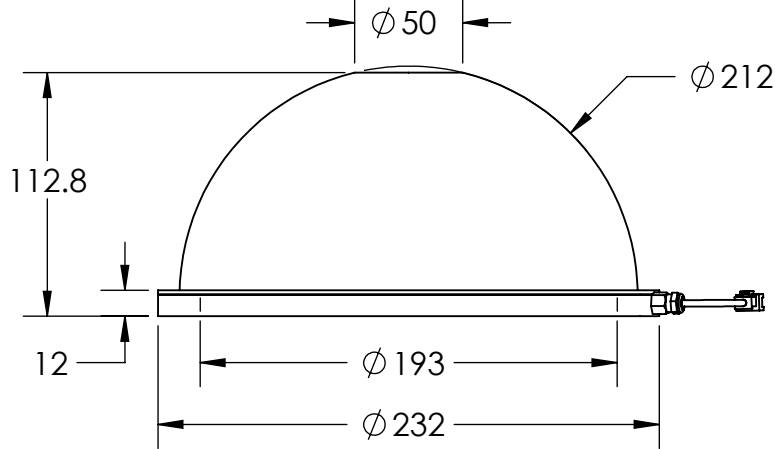
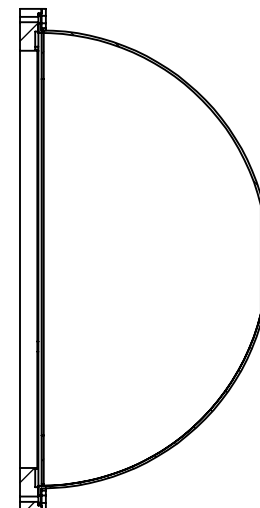


REVISIONS			
REV.	DESCRIPTIONS	EDIT BY	DATE:(d/m/y)



SECTION A-A



DESIGN BY	FASIAH	UNIT:	PRODUCT SERIES : IDS5 SERIES	
CHECK BY	KB TAN	MM	TITLE	DRAWING LAYOUT
DATE	16/11/2017	REVISION:	PART NO	IDS5-00-200-1-X-24V
MATERIAL	-	01	DWG NO	-
FINISHING	-	SCALE:	SHEET 1 OF 1	
QTY	-	1 : 3.5		

