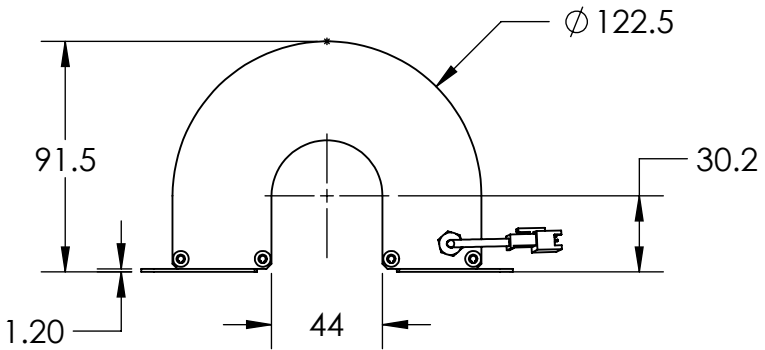
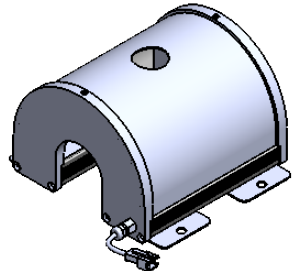
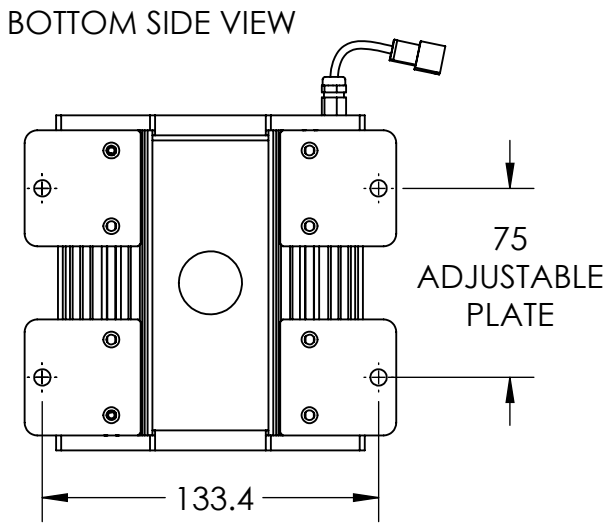
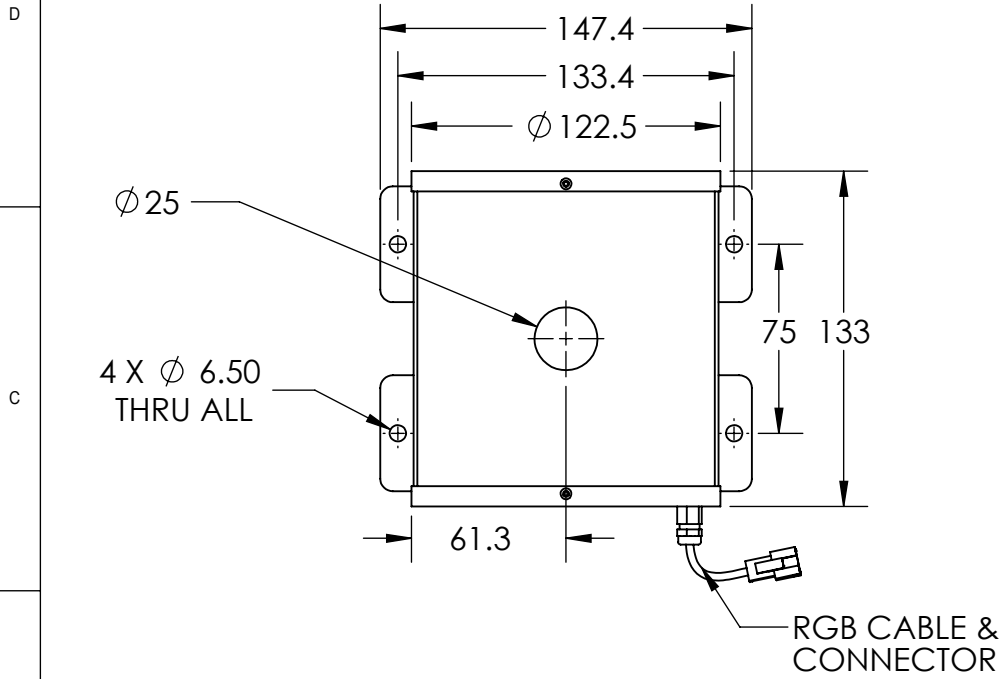


REVISIONS			
REV.	DESCRIPTIONS	EDIT BY	DATE:(d/m/y)



DESIGN BY	KB TAN	UNIT: MM	PRODUCT SERIES: IDT3 SERIES	
CHECK BY	KB TAN		TITLE	DRAWING LAYOUT
DATE	9/2/2018	REVISION: 01	PART NO	IDT3-00-120-1-RGB-24V
MATERIAL	-	SCALE: 1:3	DWG NO	-
FINISHING	-			
QTY	-			SHEET 1 OF 1