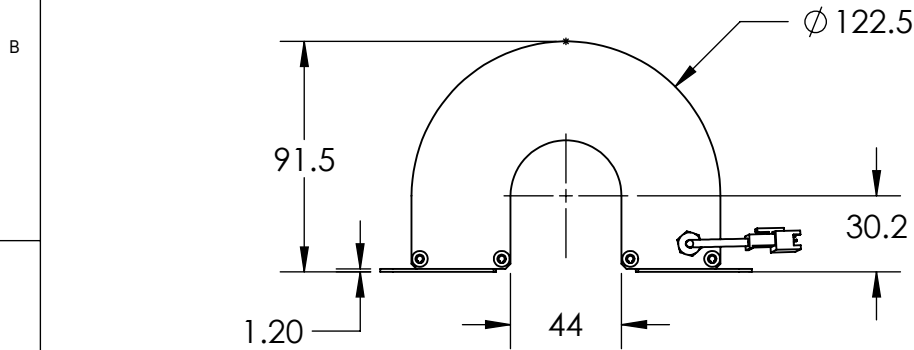
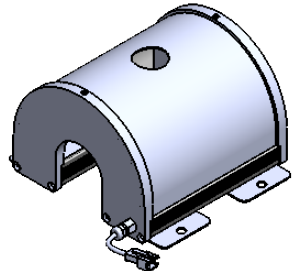
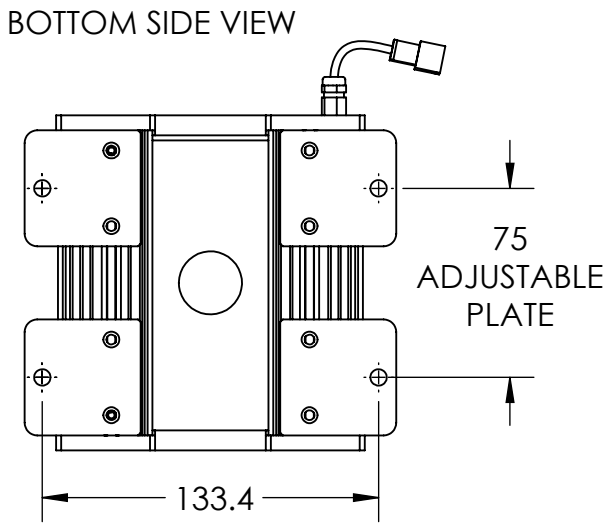
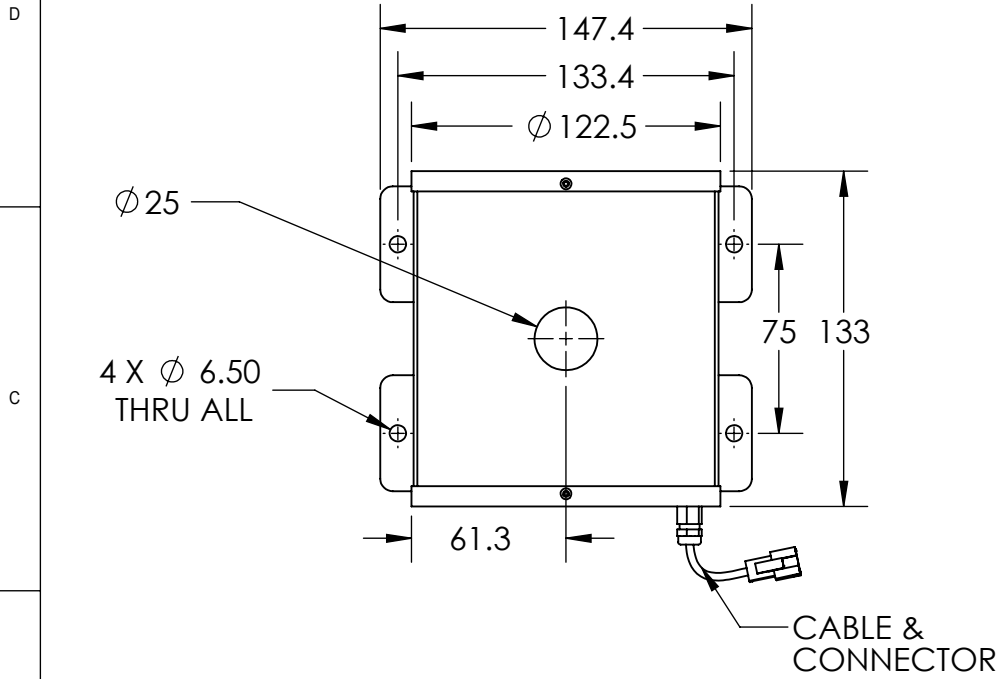


REVISIONS			
REV.	DESCRIPTIONS	EDIT BY	DATE:(d/m/y)



DESIGN BY	KB TAN	UNIT: MM	PRODUCT SERIES: IDT3 SERIES	
CHECK BY	KB TAN			
DATE	9/2/2018	REVISION: 01	TITLE	DRAWING LAYOUT
MATERIAL	-	SCALE: 1:3	PART NO	IDT3-00-120-1-X-24V
FINISHING	-		DWG NO	-
QTY	-			SHEET 1 OF 1