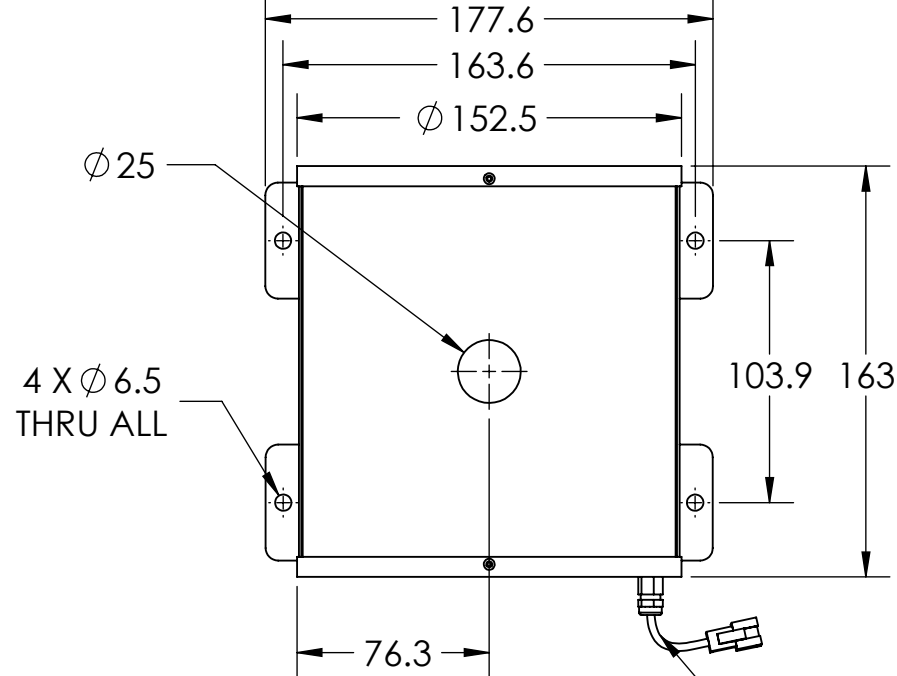
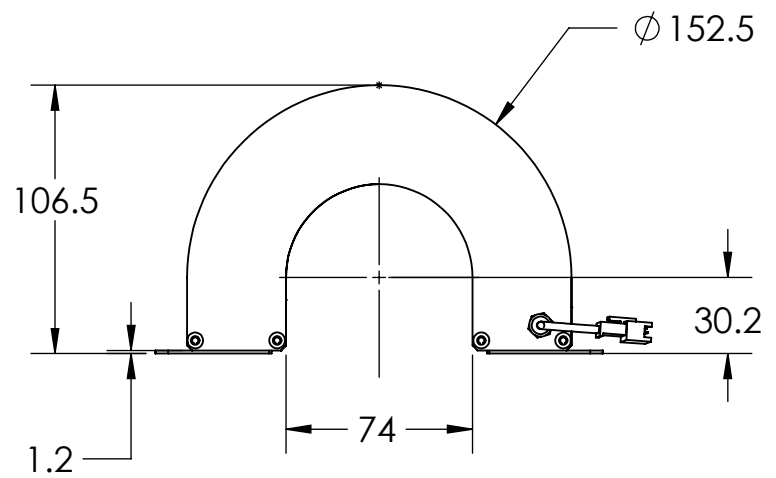
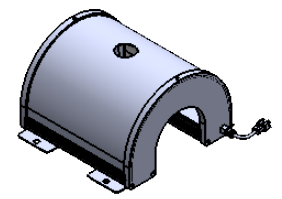
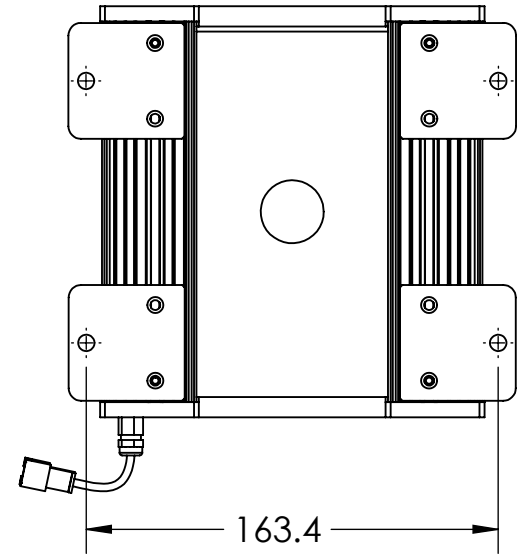


REVISIONS

ZONE	REV.	DESCRIPTIONS	DATE	APP.
------	------	--------------	------	------



BOTTOM SIDE VIEW



DESIGN BY	SL LEE	UNIT:	PRODUCT SERIES: IDT3 SERIES		
CHECK BY	KB TAN	MM			
DATE	12/1/2016	REVISION:			
MATERIAL	-	01	TITLE	DRAWING LAYOUT	COLOUR: - -
FINISHING	-	SCALE:	PART NO	IDT3-00-150-1-X-24V	VOLTAGE: - -
QTY	-	1 : 3	DWG NO	-	CURRENT: - -
					POWER: - -
					SHEET 1 OF 1

