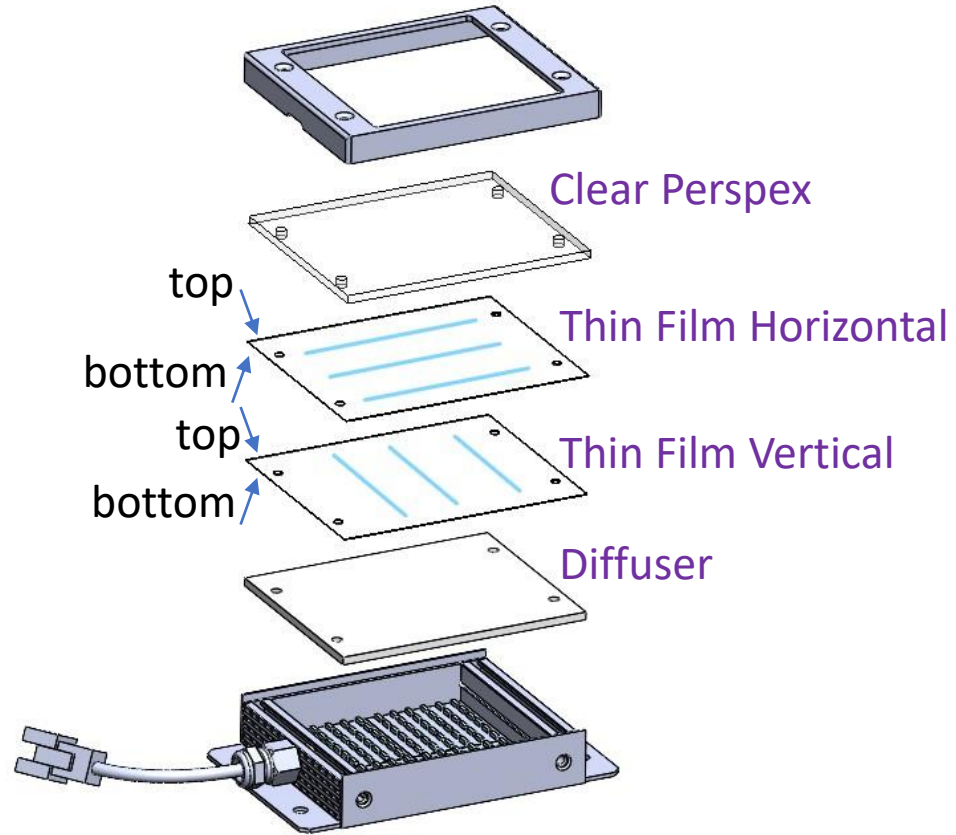


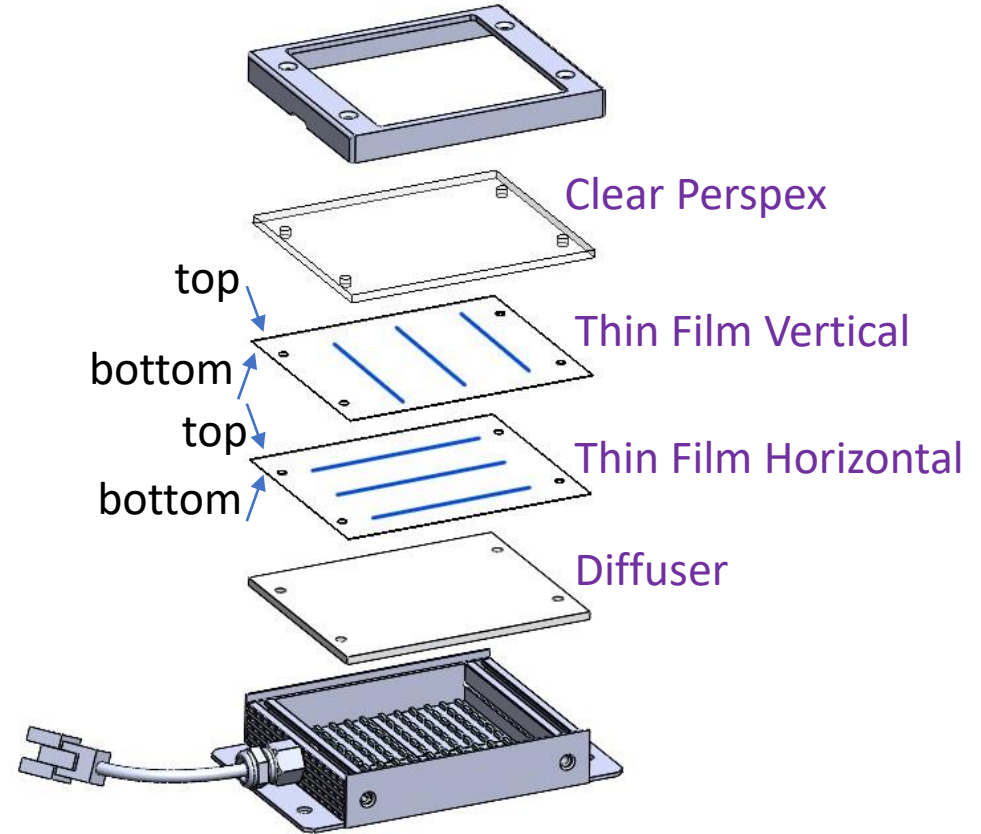
Assembly correct position,

Option 1



OR

Option 2



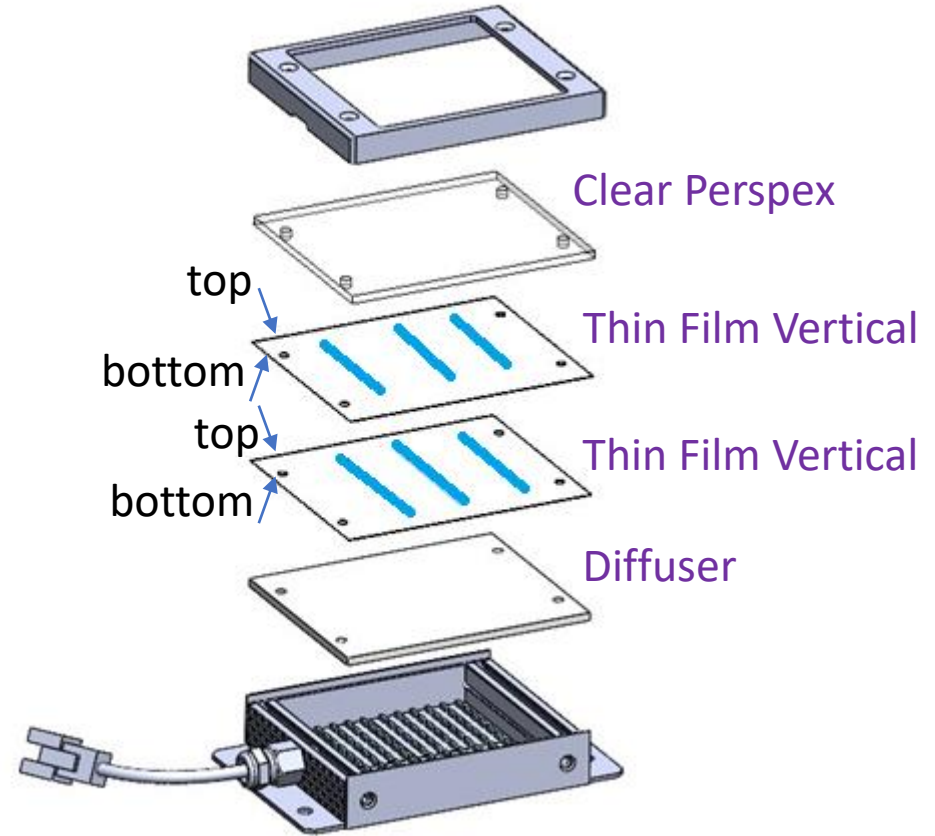
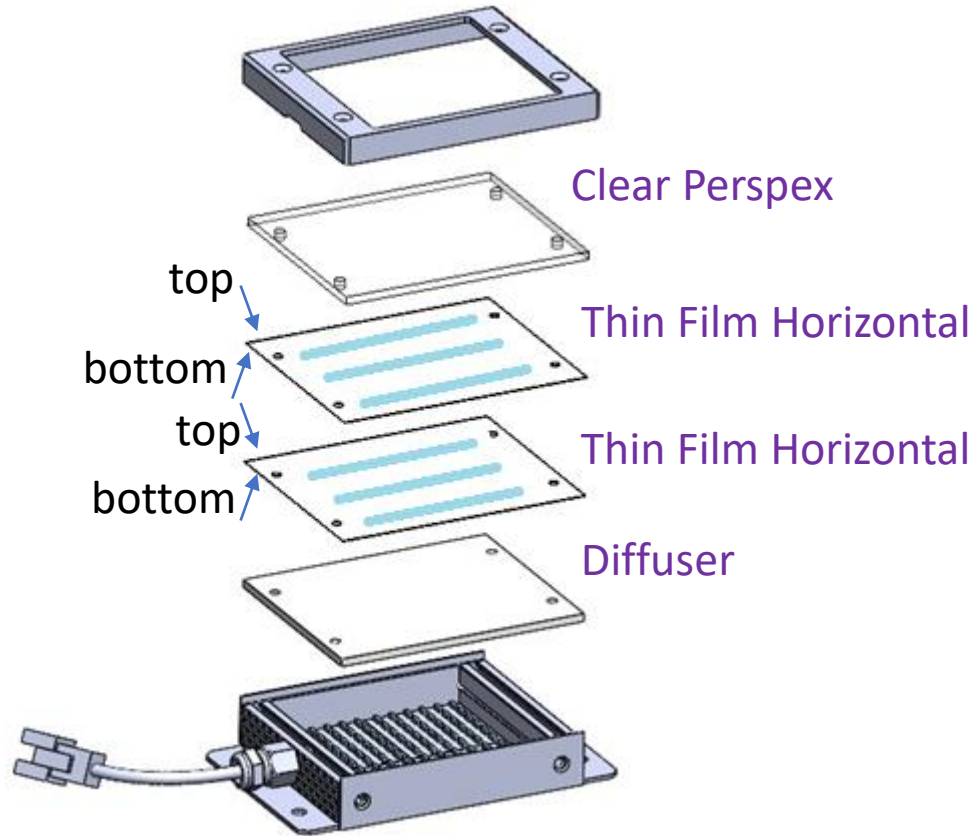
Assembly wrong position,

Option 1



OR

Option 2



Assembly wrong position,

Option 3



OR

Option 4

