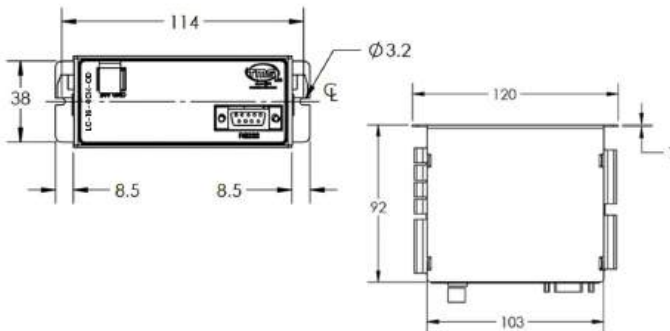


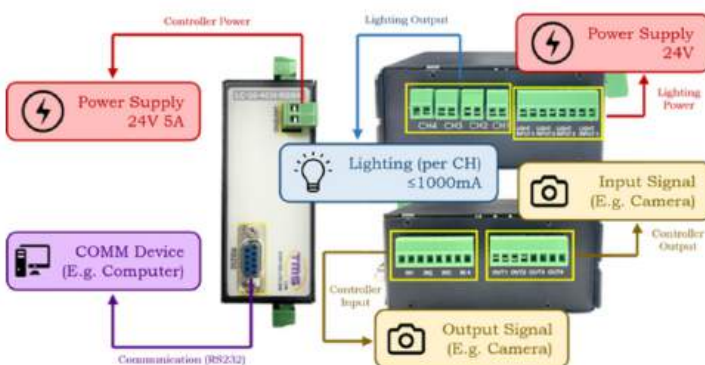


Box Dimension: L 333 x W 221 x H 100

Controller Dimension



Application



Part Number:

DK-LC-16-4CH-OD-PS24V-5A-XX

Product Naming Convention:

DK-LC-16-4CH-OD-PS24V-5A-XX

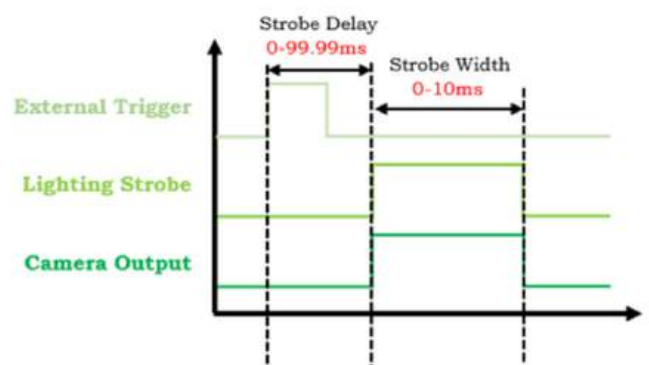


1. Demo Kit
2. Light Controller
3. Series 16
4. 4 Channels
5. Overdrive
6. Power Adapter Voltage : 24V
7. Power Adapter Current : 5A
8. Power Cord Type : UK / US / EU

Accessories

1. Power Cord – EU/US/UK (1.8 Meter)
2. AC to DC Power Adapter – 24V 5A
3. Lighting Cable (EXT-24V-F-3M)
4. Power Cable (1VS+4VL)
5. I/O Cable [Optional]
6. Din Rail (1 pc)+ Screw (3 pcs)
7. RS232 Communication Cable (3 Meter)

Timing



Features

- Intensity control for LED lightings in machine vision applications
- 4 channels with individual settings
- 1 mode of operation for diverse application support

Advantages

- Programmability
- Able to control multiple lighting
- Software Control
- Able to overdrive for 12V lighting

Benefits

- Compact Size
- Fast respond in strobing
- Easy to install