



Part Number:

DK-SD-1000-D1-PS24V-2.5A-XX

Product Naming Convention:

DK-SD-1000-D1-PS24V-2.5A-XX

(1) - (2) - (3) - (4) - (5) - (6) - (7)

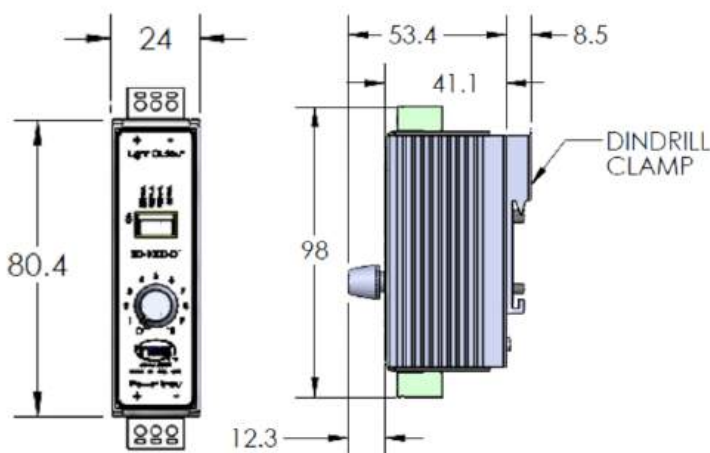
1. Demo Kit
2. Light Controller
3. 1 Channel
4. Version
5. Power Adapter Voltage: 24V
6. Power Adapter Current: 2.5A
7. Power Cord Type: EU/US/UK

Accessories

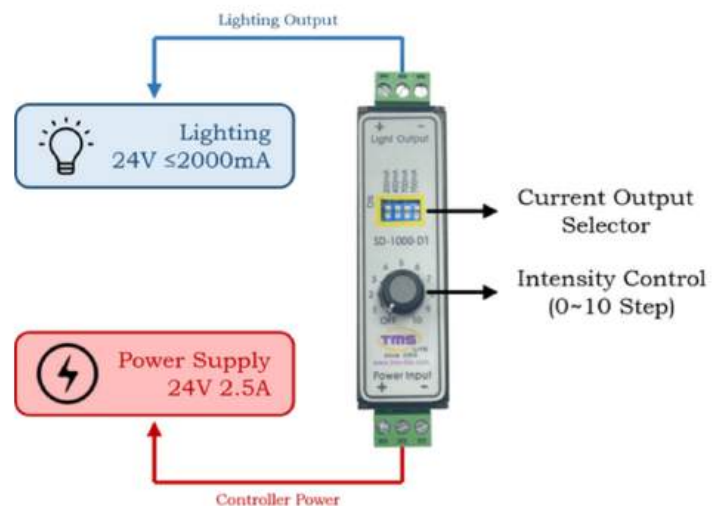
1. Power Cord - EU/US/UK (1.8 Meter)
2. AC to DC Power Adapter - 24V 2.5A
3. Lighting Cable (EXT-24V-F-3M)
4. Power Cable (1VS)
5. Din Rail (1 pc) + Screw (3 pcs)

Box Dimension: L 250 x W 140 x H 165

Controller Dimension



Application



Features

- Support DIN rail
- Easy to adjust
- Provides analog intensity control for LED lighting in machine vision applications

Advantages

- Availability of rotary knob functionality for intensity control
- Output current can be adjusted

Benefits

- Compact in size and easy to use