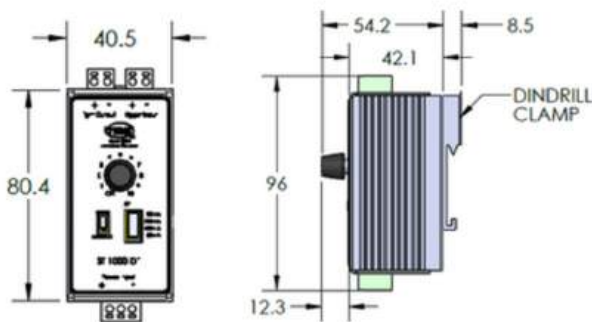


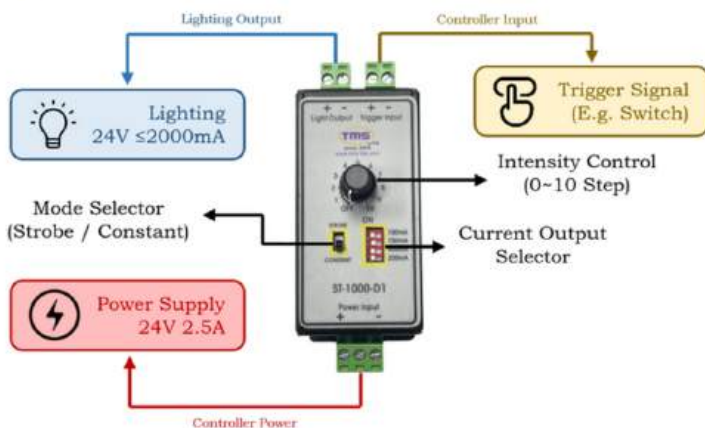


**Box Dimension:** L 250 x W 140 x H 165

### Controller Dimension



### Application

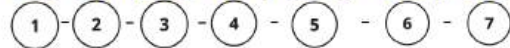


### Part Number:

DK-ST-1000-D1-PS24V-2.5A-XX

### Product Naming Convention:

DK-ST-1000-D1-PS24V-2.5A-XX

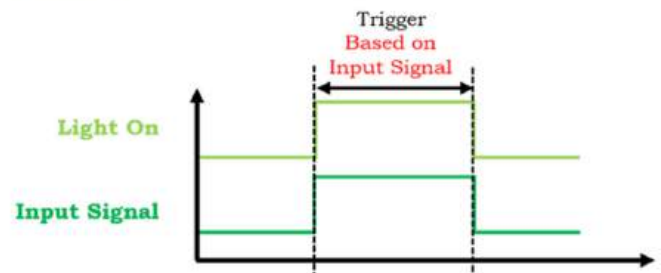


1. Demo Kit
2. Strobe Light Controller
3. 1 Channel
4. Version
5. Power Adapter Voltage: 24V
6. Power Adapter Current: 2.5A
7. Power Cord Type: EU/US/UK

### Accessories

1. Power Cord - EU/US/UK (1.8 Meter)
2. AC to DC Power Adapter - 24V 2.5A
3. Lighting Cable (EXT-24V-F-3M)
4. Trigger Cable (Optional)
5. Power Cable (1VS)
6. Din Rail (1 pc) + Screw (3 pcs)

### Timing



### Features

- Support DIN rail
- Easy to adjust
- Provides analog intensity control for LED lighting in machine vision applications

### Advantages

- Availability of rotary knob functionality for intensity control
- Adjustable output current
- Trigger functionality available

### Benefits

- Compact in size and easy to use