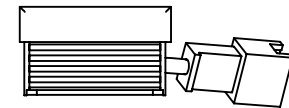
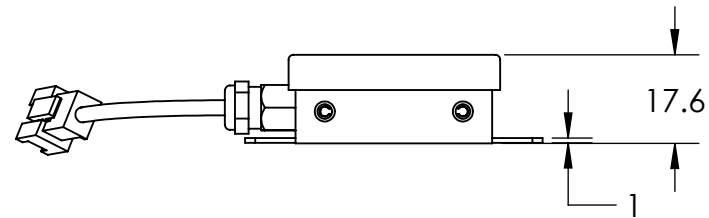
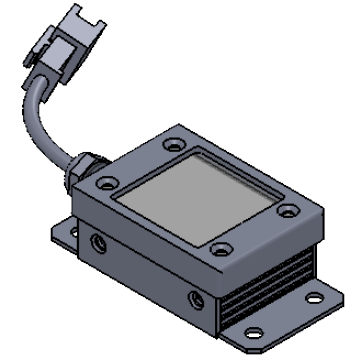
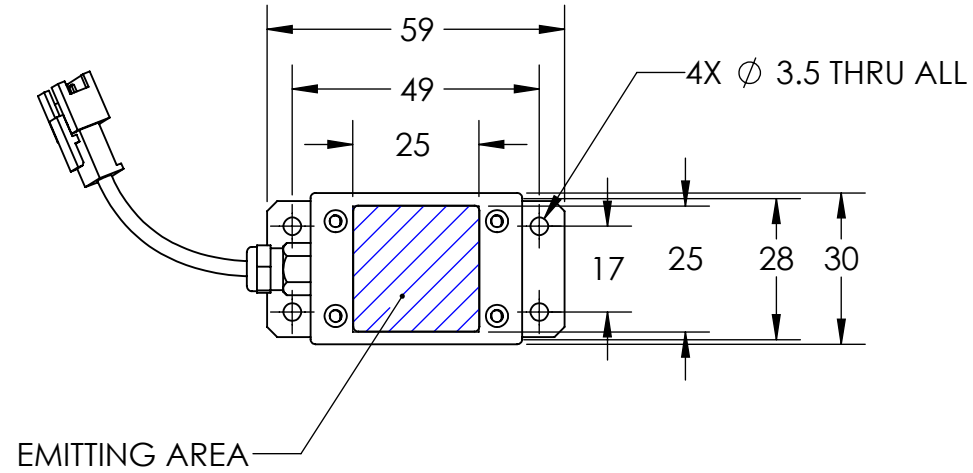


REVISIONS

ZONE	REV.	DESCRIPTIONS	DATE	APP.
------	------	--------------	------	------



DESIGN BY	KB TAN	UNIT: MM	PRODUCT SERIES: BHC2 SERIES				
CHECK BY	KB TAN						
DATE	30/1/2018	REVISION: 01	TITLE	DRAWING LAYOUT	COLOUR:	-	-
MATERIAL	-	SCALE: 1:1	PART NO	BHC2-00-025-X-X-24V	VOLTAGE:	-	-
FINISHING	-		DWG NO	-	CURRENT:	-	-
QTY	-				POWER:	-	-
					SHEET 1 OF 1		