

REVISIONS

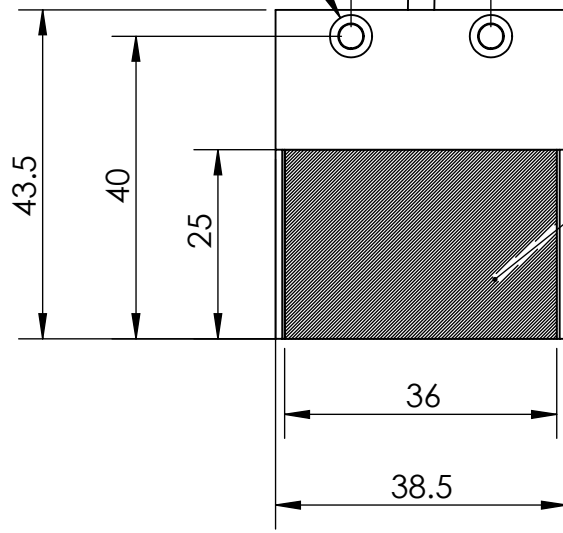
ZONE	REV.	DESCRIPTIONS	DATE	APP.
------	------	--------------	------	------

CONNECTOR
CABLE LENGTH 50cm

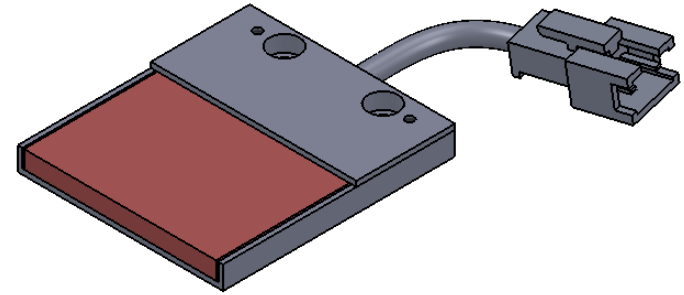
2X ϕ 3.4 THRU ALL
 ϕ 5.6 ∇ 3

18.5

EMITTING AREA



5.3



DESIGN BY	DS CHAN	UNIT:
CHECK BY	DS CHAN	MM
DATE	21/02/2014	REVISION:
MATERIAL	-	01
FINISHING	-	SCALE:
QTY	-	1:1

PRODUCT SERIES: BHDS SERIES



TITLE	DRAWING LAYOUT	COLOUR:	-	-
PART NO	BHDS-00-25X36-1-X-24V (REV 01)	VOLTAGE:	-	-
DWG NO	-	CURRENT:	-	-
		POWER:	-	-

SHEET 1 OF 1				
--------------	--	--	--	--