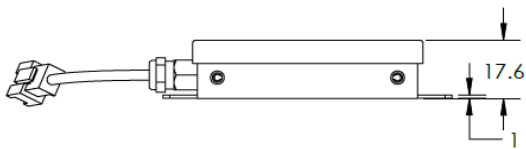
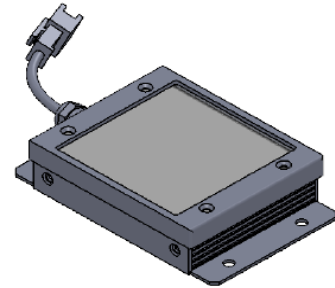
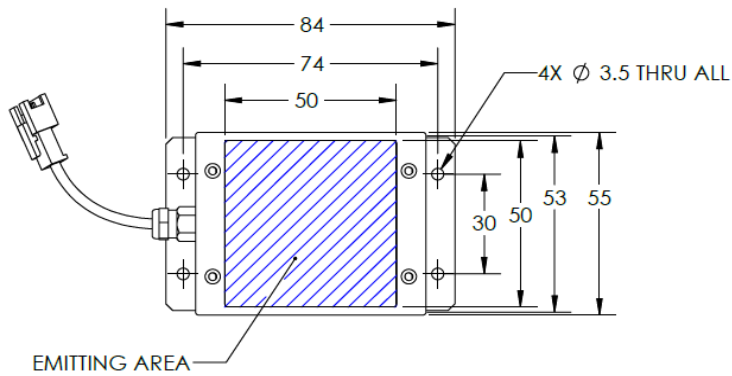




# ILLUMINATOR DATA-ID

## BHC2-00-050-X-G-24V

### Lighting Dimension




Mechanical Information	
Casing Material	Aluminium
Storage Temperature Range	Temp 0-45°C, Humidity 20-85%
Weight	93 g
Length / Outer Diameter	84 mm
Width / Inner Diameter	55 mm
Thickness / Height	17.6 mm



# ILLUMINATOR DATA-ID

## BHC2-00-050-X-G-24V

Optical Information				
Part Number		BHC2-00-050-X-G-24V		
LED Color		GREEN		
Wavelength	(nm)	525		
Intensity (±15%)	(Lux)			
Working Distance	(mm)	10	20	30
Illumination (number of row)		X		
Illumination Active Area				
Active Length / Outer Diameter	(mm)	50		
Active Width / Inner Diameter	(mm)	50		
Emission angle	(deg.)	0		
Eye Safety Class ( IEC62471 )		EXEMPT		
Electrical Information				
Lighting Supply Voltage (constant voltage mode)		24V ± 2%		
Continuous Current	(mA)	72		
Power Consumption	(W)	1.728		
Lighting casing temperature, Operating after 60 minutes	°C	53.6		
Strobe Mode Specification				
Pulse Operation		YES		
Max. Lighting Supply Voltage (Constant voltage power supply)	(V)	Pulsing at 24VDC to 48VDC, 0-10% Duty Cycle, Recommended at 36VDC		
Pulse Current, (Max. 10msec) (Constant current power supply)	(mA)	216		
Max. Trigger Pulse Duration	(msec)	10		
Duty Cycle		0-10%		
Additional Information				
Additional Cooling Method		Attached to machine part for better heat dissipation		
Intensity Controller Selection		ANG, ST, SD and SDA Series		
CE Conformity		YES		
RoHS Compliance		YES		
Connection				
Connector Type (Default):		JST SMR-03V		
Cable Length out from lighting :	(mm)	500		
Pin Configuration :		Pin	Signal	Cable Color
		1	LED +	RED
		2	N.C.	---
		3	LED -	WHITE
				
Application				
Illumination Type		Backlight Illumination		
Applicattion Use		Lead frame inspection, shape recognition, size measurement.		



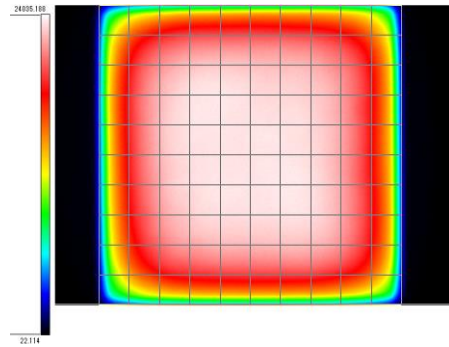
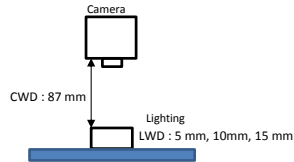
# ILLUMINATOR DATA-ID

## BHC2-00-050-X-G-24V

### Uniform Graph ( Relative Irradiation Strength) - Representative pattern

Lens focal length,  $f = 0$  mm  
CWD = 189mm  
LWD = 5mm, 10mm, 15mm  
Lighting angle:  $0^\circ$

Tolerance %	L X W
10%	32 x 35
20%	40 x 41
30%	44 x 45
40%	46 x 47



\* 1 cell = 5mm x 5mm