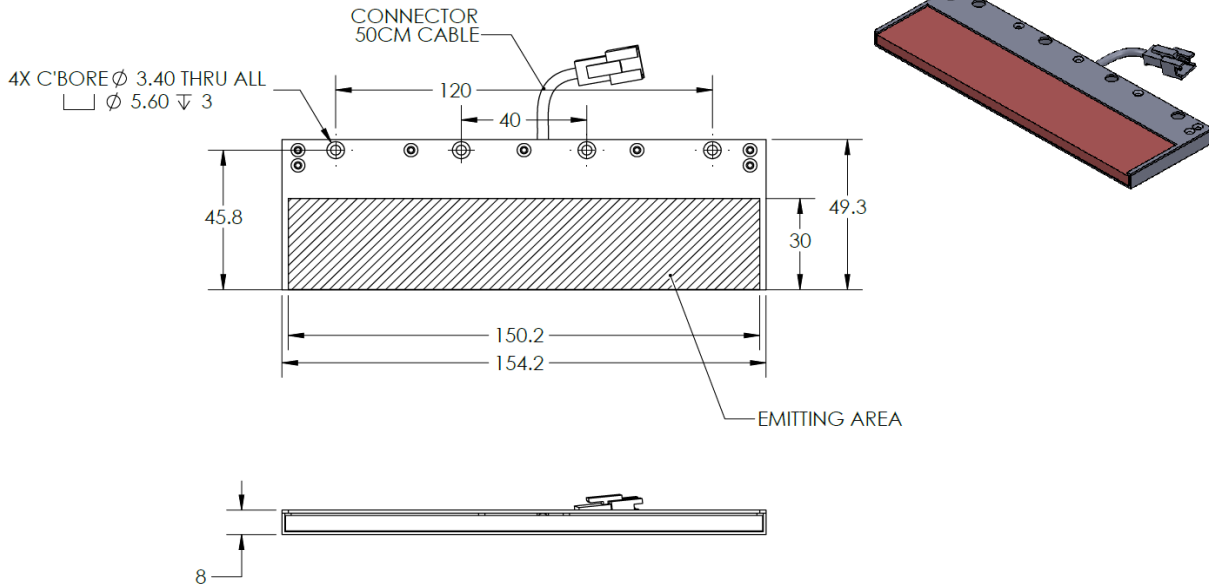




ILLUMINATOR DATA-ID

BHDS-00-30X150-1-B-24V

Lighting Dimension




Mechanical Information	
Casing Material	Aluminium
Storage Temperature Range	Temp 0-45°C, Humidity 20-85%
Weight	105 g
Length / Outer Diameter	49.3 mm
Width / Inner Diameter	154.2 mm
Thickness / Height	8 mm



ILLUMINATOR DATA-ID

BHDS-00-30X150-1-B-24V

Optical Information		BHDS-00-30X150-1-B-24V		
Part Number		BHDS-00-30X150-1-B-24V		
LED Color		BLUE		
Wavelength	(nm)	460		
Intensity (±15%)	(Lux)	20500	16600	13680
Working Distance	(mm)	5	10	15
Illumination (number of row)		1		
Illumination Active Area				
Active Length / Outer Diameter	(mm)	30		
Active Width / Inner Diameter	(mm)	150.2		
Emission angle	(deg.)	0		
Eye Safety Class (IEC62471)		II		
Electrical Information				
Lighting Supply Voltage (constant voltage mode)		24V ± 2%		
Continuous Current	(mA)	100		
Power Consumption	(W)	2.4		
Lighting casing temperature, Operating after 60 minutes	°C	47.2		
Strobe Mode Specification				
Pulse Operation		YES		
Max. Lighting Supply Voltage (Constant voltage power supply)	(V)	Pulsing at 24VDC to 48VDC, 0-10% Duty Cycle, Recommended at 36VDC		
Pulse Current, (Max. 10msec) (Constant current power supply)	(mA)	300		
Max. Trigger Pulse Duration	(msec)	10		
Duty Cycle		0-10%		
Additional Information				
Additional Cooling Method		Attached to machine part for better heat dissipation		
Intensity Controller Selection		ANG, ST, SD and SDA Series		
CE Conformity		YES		
RoHS Compliance		YES		
Connection				
Connector Type (Default):		JST SMR-03V		
Cable Length out from lighting :	(mm)	500		
Pin Configuration :		Pin	Signal	Cable Color
		1	LED +	RED
		2	N.C.	---
		3	LED -	WHITE
				
Application				
Illumination Type		Backlight Illumination		
Applicattion Use		Lead frame inspection, shape recognition, size measurement.		



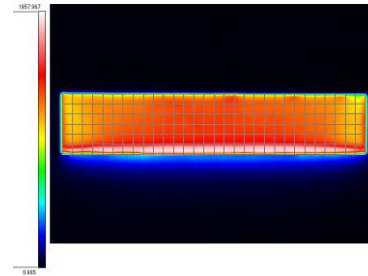
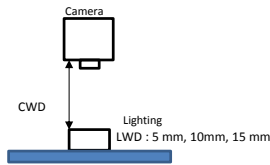
ILLUMINATOR DATA-ID

BHDS-00-30X150-1-B-24V

Uniform Graph (Relative Irradiation Strength) - Representative pattern

Lens focal length, $f = 0\text{mm}$
CWD = 330mm
LWD = 5mm, 10mm, 15mm
Lighting angle: 0°

Tolerance %	LX W
10%	141 x 3
20%	147 x 5
30%	148 x 12
40%	148 x 29



* 1 cell = 5mm x 5mm