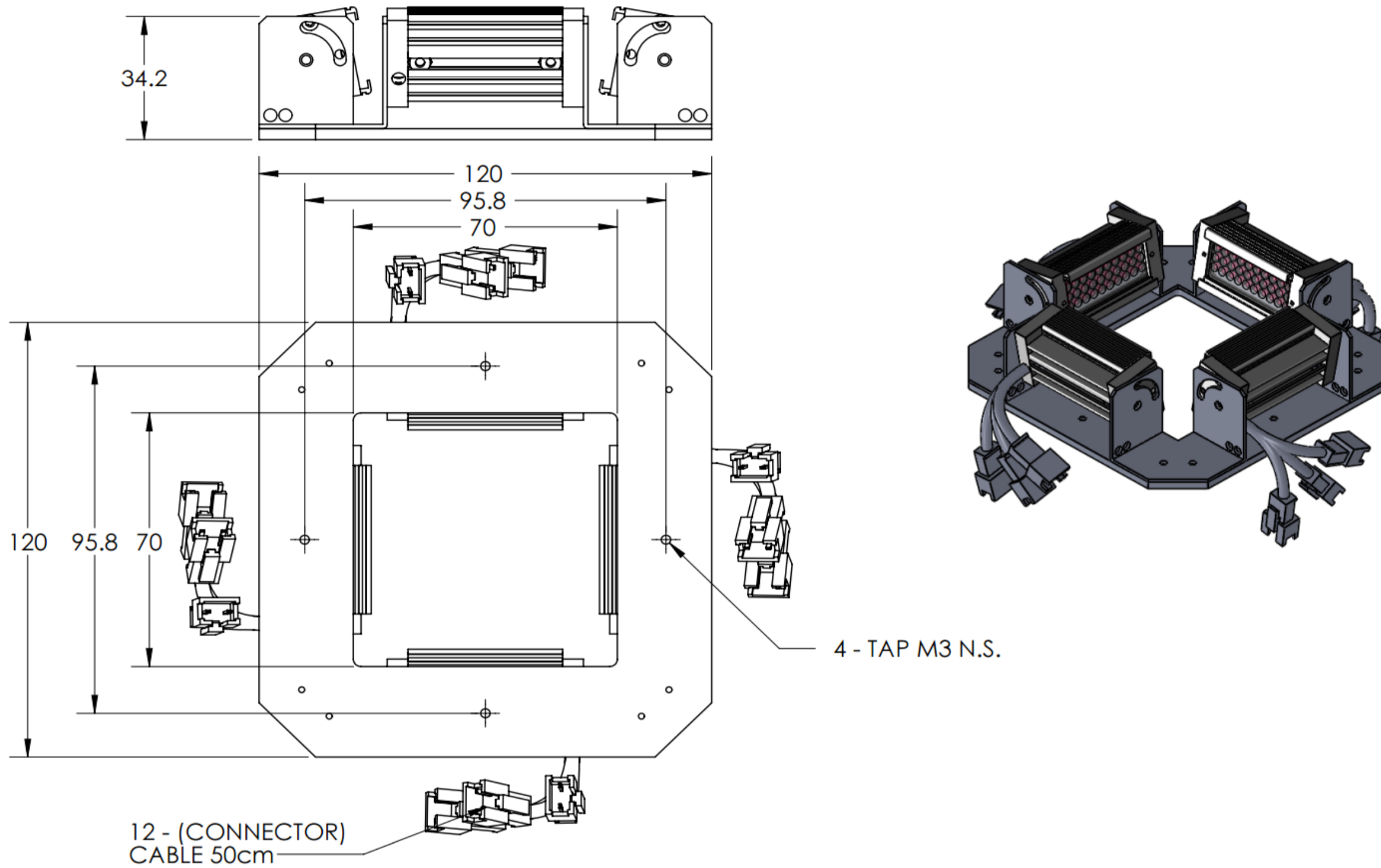




# ILLUMINATOR DATA-ID

## LBRQ-00-040-3-RGB-24V

### Lighting Dimension




Mechanical Information	
Casing Material	Aluminium
Storage Temperature Range	Temp 0-45°C, Humidity 20-85%
Weight	337 g
Length / Outer Diameter	120 mm
Width / Inner Diameter	70 mm
Thickness / Height	34.2 mm



# ILLUMINATOR DATA-ID

## LBRQ-00-040-3-RGB-24V

Optical Information											
Part Number	LBRQ-00-040-3-RGB-24V										
LED Color	RED			GREEN			BLUE				
Wavelength	(nm)	630			525			470			
Intensity (±15%)	(Lux)	TBA	TBA	TBA	TBA	TBA	TBA	TBA	TBA	TBA	
Working Distance	(mm)	115	126	137	115	126	137	115	126	137	
Illumination (number of row)		3									
Illumination Active Area											
Active Length / Outer Diameter	(mm)	120									
Active Width / Inner Diameter	(mm)	70									
Emission angle	(deg.)	0									
Eye Safety Class ( IEC62471 )		EXEMPT			EXEMPT			II			
Electrical Information											
Lighting Supply Voltage (constant voltage mode)		24V ± 2%									
Continuous Current	(mA)	RED	300			GREEN	300			BLUE	300
Power Consumption	(W)		7.2				7.2				7.2
Lighting casing temperature, Operating after 60 minutes	°C		51.5				51.5				51.5
Max. continous current of RED, GREEN & BLUE LEDs on at the same time	(mA)	RED, GREEN & BLUE LEDs on at the same time are not recommended									
Strobe Mode Specification											
Pulse Operation		YES									
Max. Lighting Supply Voltage (Constant voltage power supply)	(V)	Pulsing at 24VDC to 48VDC, 0-10% Duty Cycle, Recommended at 36VDC									
Pulse Current, (Max. 10msec) (Constant current power supply)	(mA)	RED	900			GREEN	900			BLUE	900
Max. pulse current of RED, GREEN & BLUE LEDs on at the same time	(V)	RED, GREEN & BLUE LEDs on at the same time are not recommended									
Max. Trigger Pulse Duration	(msec)	10									
Duty Cycle		0-10%									
Additional Information											
Additional Cooling Method		Attached to machine part for better heat dissipation									
Intensity Controller Selection		ANG, SD, ST & SDA Series									
CE Conformity		YES									
RoHS Compliance		YES									
Connection											
Connector Type (Default):		JST SMR-03V									
Cable Length out from lighting :	(mm)	500									
Pin Configuration :		Pin	Signal			Cable Color					
		1	LED +			RED					
		2	N.C.			---					
		3	LED -			WHITE					
											
Application											
Illumination Type		Direct Illumination									
Applicattion Use		General illumination, label inspection, character inspection, code recognition.									