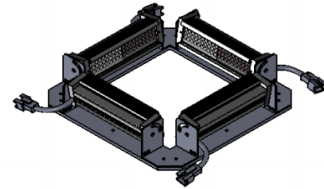
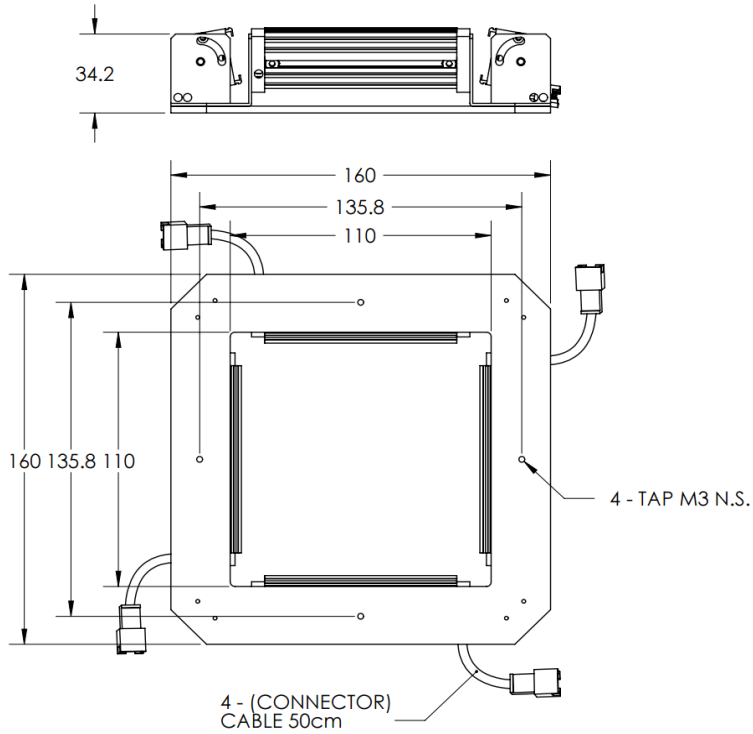




# ILLUMINATOR DATA-ID

## LBRQ-00-080-3-G-24V

### Lighting Dimension




| Mechanical Information    |                                |
|---------------------------|--------------------------------|
| Casing Material           | Aluminium                      |
| Storage Temperature Range | Temp 0 - 45°C, Humidity 20-85% |
| Weight                    | 510 g                          |
| Length / Outer Diameter   | 110 mm                         |
| Width / Inner Diameter    | 160 mm                         |
| Thickness / Height        | 34.2 mm                        |



# ILLUMINATOR DATA-ID

## LBRQ-00-080-3-G-24V

| Optical Information  |        |   |        |             |
|--|--------|---|--------|-------------|
| Part Number  |        | LBRQ-00-080-3-G-24V   |        |             |
| LED Color  |        | GREEN   |        |             |
| Wavelength   | (nm)   | 525   |        |             |
| Intensity (±15%)   | (Lux)  | 4980  | 4790   | 4530        |
| Working Distance   | (mm)   | 170   | 181    | 192         |
| Illumination (number of row)   |        | 3   |        |             |
| Illumination Active Area   |        |   |        |             |
| Active Length / Outer Diameter   | (mm)   | 160   |        |             |
| Active Width / Inner Diameter  | (mm)   | 110   |        |             |
| Emission angle   | (deg.) | 0   |        |             |
| Eye Safety Class ( IEC62471 )  |        | EXEMPT  |        |             |
| Electrical Information   |        |   |        |             |
| Lighting Supply Voltage<br>(constant voltage mode)                                   |        | 24V ± 2%  |        |             |
| Continuous Current   | (mA)   | 336   |        |             |
| Power Consumption  | (W)    | 8.06  |        |             |
| Lighting casing temperature,<br>Operating after 60 minutes                           | °C     | 47.5  |        |             |
| Strobe Mode Specification  |        |   |        |             |
| Pulse Operation  |        | YES   |        |             |
| Max. Lighting Supply Voltage<br>(Constant voltage power supply)                      | (V)    | Pulsing at 24VDC to 48VDC, 0-10% Duty Cycle, Recommended at 36VDC               |        |             |
| Pulse Current, (Max. 10msec)<br>(Constant current power supply)                      | (mA)   | 1008  |        |             |
| Max. Trigger Pulse Duration  | (msec) | 10  |        |             |
| Duty Cycle   |        | 0-10%   |        |             |
| Additional Information   |        |   |        |             |
| Additional Cooling Method  |        | Attached to machine part for better heat dissipation                            |        |             |
| Intensity Controller Selection   |        | ANG, ST, SD and SDA Series  |        |             |
| CE Conformity  |        | YES   |        |             |
| RoHS Compliance  |        | YES   |        |             |
| Connection   |        |   |        |             |
| Connector Type (Default):  |        | JST SMR-03V   |        |             |
| Cable Length out from lighting :   | (mm)   | 500   |        |             |
| Pin Configuration :  |        | Pin   | Signal | Cable Color |
|  |        | 1   | LED +  | RED         |
|  |        | 2   | N.C.   | ---         |
|  |        | 3   | LED -  | WHITE       |
|  |        |   |        |             |
| Application  |        |   |        |             |
| Illumination Type  |        | Direct Illumination   |        |             |
| Appicattion Use  |        | General illumination, label inspection, character inspection, code recognition. |        |             |